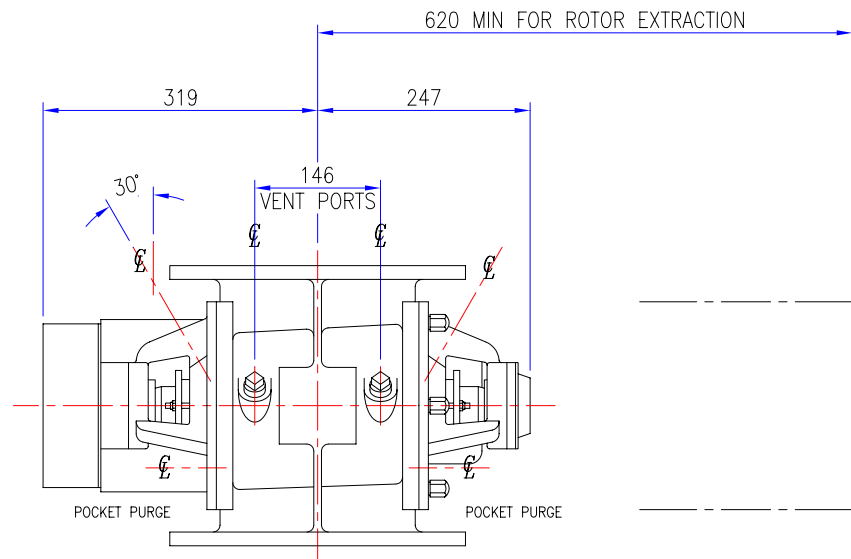
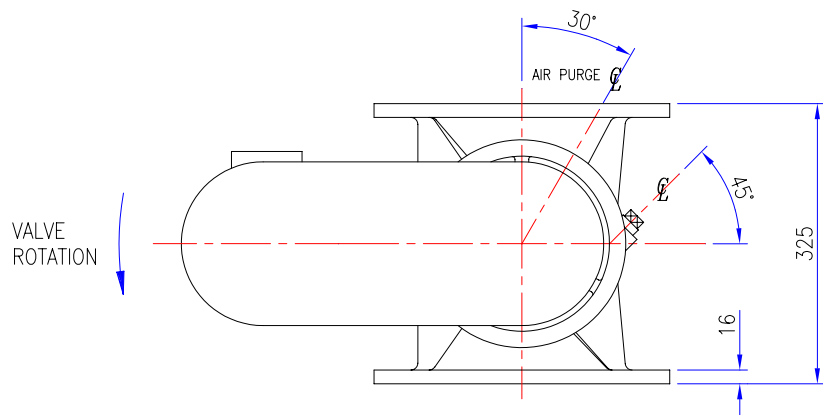


FLANGE DRILLING OPTIONS:-

BS4504 PN10 (DIN 2501)  
8 HOLES 22 DIA  
EQUI-SP ON 295 PCD OFFCENTRE

ANSI B16.5-150FF  
8 HOLES 22 DIA  
EQUI-SP ON 298.5 PCD OFFCENTRE

OPTIONS		INCLUDED	
VENT PORTS (2)	3/4" BSP	3/4" NPT	
AIR PURGE (2)	1/4" BSP	1/4" NPT	
POCKET PURGE (2)	1/4" BSP	1/4" NPT	
FLANGE DRILLING	BS4504	ANSI	
GMU KW			
APPROX VALVE WEIGHT			
CI+ST STL 100Kg : AL ALLOY 90Kg			
ORDER No.			
JOB No.		J	
CERTIFIED			



A	ORIGINAL
	REVISIONS

TOLERANCES	UP TO VALVE SIZE	VALVE SIZE & OVER
FACE-FACE	250 ±1.5	300 ±3
FLANGE THK.	450 ±3	500 ±5
PIPE O/D	100 ±1.5	115 ±2
OTHER	450 ±6	500 ±8

PROJECTION	
SCALE :	1:3 (A1)
DIMENSIONS IN mm	
©ROTA VAL	

**ROTAVAL**  
CHIPPENHAM WILTS

DRN	CHKD	APPD	DATE
J.PORTER	SC	D.C.S	23-10-01

TITLE  
**ROUND FLANGE HDR200  
WITH DRIVE PLANNING IN DIMENSIONS**

JOB No.	DRG No.
	RDF-HDR200-WD

SHEET	ISSUE
1	A