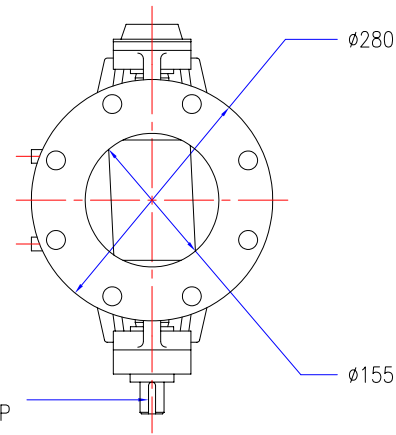
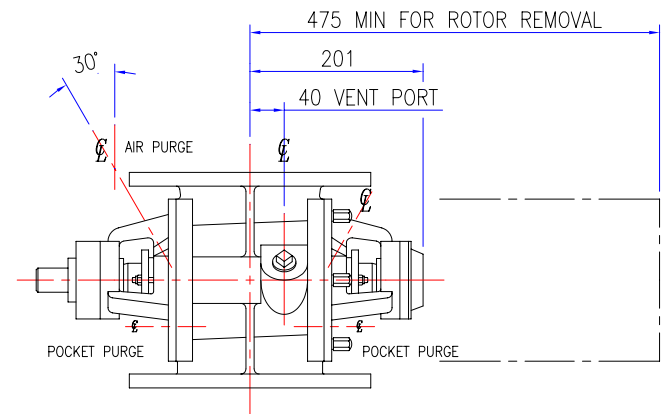
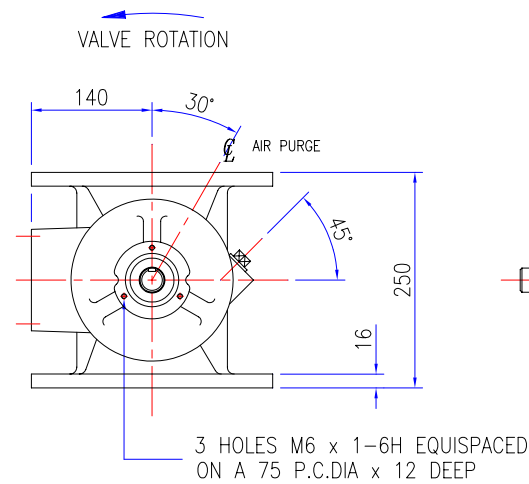
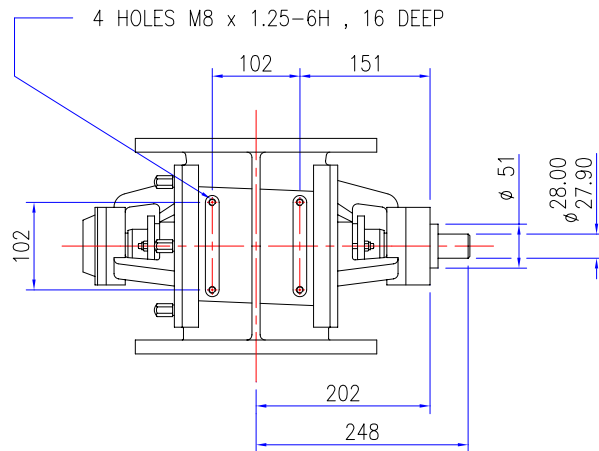


FLANGE DRILLING OPTIONS:-
 BS4504 PN10 (DIN 2501)
 8 HOLES 22 DIA
 EQUI-SP ON 240 PCD OFFCENTRE
 ANSI B16.5-150FF
 8 HOLES 22 DIA
 EQUI-SP ON 241.3 PCD OFFCENTRE



OPTIONS	INCLUDED		
VENT PORT	3/4" BSP	3/4" NPT	
AIR PURGE (2)	1/4" BSP	1/4" NPT	
POCKET PURGE (2)	1/4" BSP	1/4" NPT	
FLANGE DRILLING	BS4504	ANSI	
APPROX VALVE WEIGHT			
CI+ST STL 50Kg : AL ALLOY 30Kg			
ORDER No.			
JOB No. J			
CERTIFIED			



A	ORIGINAL
	REVISIONS

TOLERANCES	UP TO VALVE SIZE	VALVE SIZE & OVER
FACE-FACE	250 ± 1.5	300 ± 3
FLANGE THK.	450 ± 3	500 ± 5
PIPE O/D	100 ± 1.5	115 ± 2
OTHER	450 ± 6	500 ± 8

PROJECTION	
SCALE :	1:3 (A1)
DIMENSIONS IN mm	

ROTAVAL			
CHIPPENHAM WILTS			
DRN	CHKD	APPD	DATE
J.PORTER	SC	D.C.S	14-09-01

TITLE		ROUND FLANGE HDR150 BARESHAF T PLANNING IN DIMENSIONS	
JOB No.	DRG No.	SHEET ISSUE	
	RDF-HDR150-BS	1	A