

ø380

FLANGE DRILLING OPTIONS:-

BS4504 PN10 (DIN 2501)  
16 HOLES 26 DIA  
EQUI-SP ON 515 PCD OFFCENTRE

ANSI B16.5-150FF  
16 HOLES 26 DIA  
EQUI-SP ON 539.75 PCD OFFCENTRE

ø597

558

133

580 MAX

⌀ AIR PURGE

26

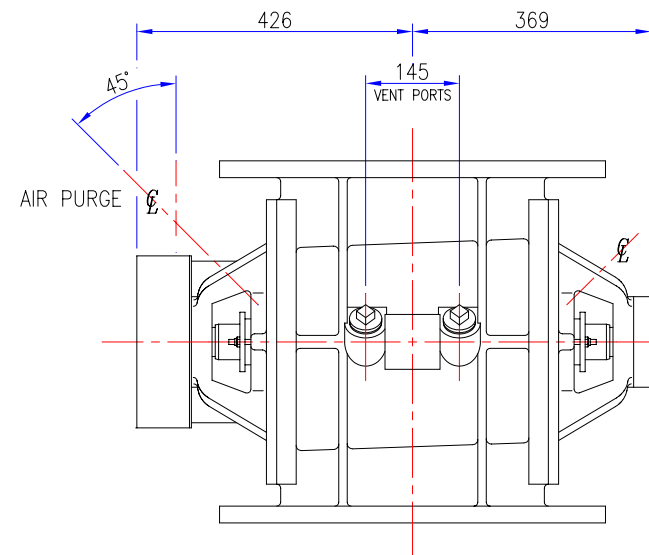
45°

560

26

VALVE  
ROTATION

OPTIONS		INCLUDED	
VENT PORTS (2)	1.5" BSP	1.5" NPT	
AIR PURGE (2)	1/4" BSP	1/4" NPT	
FLANGE DRILLING	BS4504	ANSI	
GMU	kW		
APPROX VALVE WEIGHT			
CI+ST STL 380Kg : AL ALLOY 295Kg			
ORDER No.			
JOB No.		J	
CERTIFIED			



426

369

AIR PURGE

45°

145  
VENT PORTS

⌀

A	ORIGINAL
	REVISIONS

TOLERANCES	UP TO VALVE SIZE	VALVE SIZE & OVER
FACE-FACE	250 ±1.5	300 ±3
FLANGE THK.	450 ±3	500 ±5
PIPE O/D	100 ±1.5	115 ±2
OTHER	450 ±6	500 ±8

PROJECTION	
SCALE :	1:4 (A1)
DIMENSIONS IN mm	
©	ROTA VAL

<b>ROTAVAL</b>			
CHIPPENHAM WILTS			
DRN	CHKD	APPD	DATE
J.PORTER	SC	D.C.S	13-06-02

TITLE		ROUND FLANGE HD400 WITH DRIVE PLANNING IN DIMENSIONS	
JOB No.		DRG No.	
		RDF-HD400-WD	
		SHEET ISSUE	
		1 A	