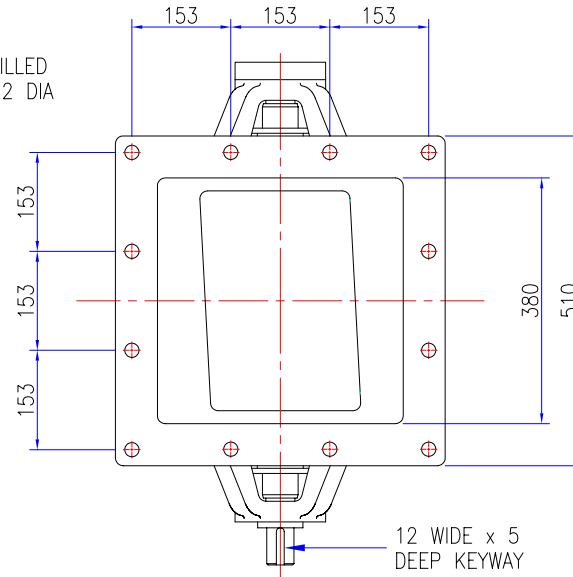
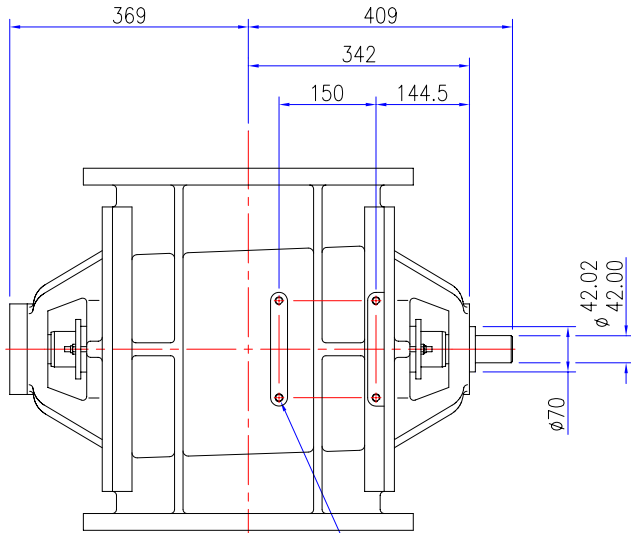


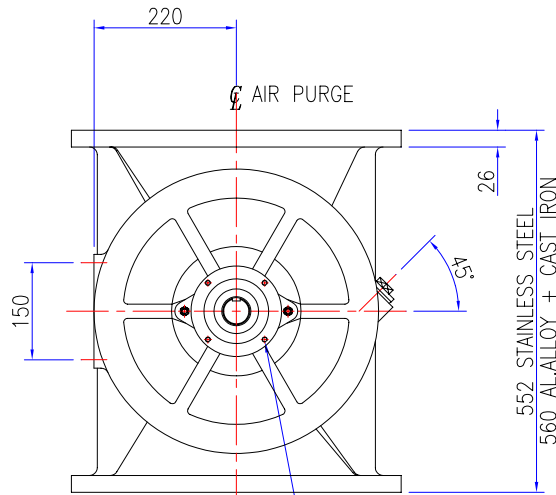
FLANGES DRILLED
12 HOLES 22 DIA



OPTIONS	INCLUDED	
VENT PORTS (2)	1.5" BSP	1.5" NPT
AIR PURGE (2)	1/4" BSP	1/4" NPT
APPROX VALVE WEIGHT		
CI+ST STL 275Kg : AL ALLOY 195Kg		
ORDER No.		
JOB No. J		
CERTIFIED		

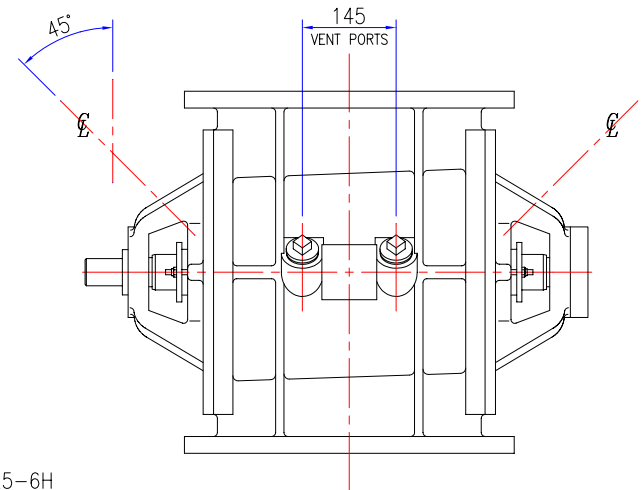


4 HOLES TAPPED M12
x 1.75-6H 25 DEEP



VALVE ROTATION

4 HOLES M8 x 1.25-6H
EQUISPACED ON A 124
P.C.DIA x 16 DEEP



A	ORIGINAL
	REVISIONS

TOLERANCES	UP TO VALVE SIZE	VALVE SIZE & OVER
FACE-FACE	250 ±1.5	300 ±3
FLANGE THK.	450 ±3	500 ±5
PIPE O/D	100 ±1.5	115 ±2
OTHER	450 ±6	500 ±8

PROJECTION	
SCALE :	1:4 (A1)
DIMENSIONS IN mm	

ROTAVAL			
CHIPPENHAM WILTS			
DRN	CHKD	APPD	DATE
J.PORTER	SC	D.C.S	12-06-02

TITLE		SQUARE FLANGE HD400 BARESHAFT PLANNING IN DIMENSIONS	
JOB No.	DRG No.	SHEET	ISSUE
	SQF-HD400-BS	1	A