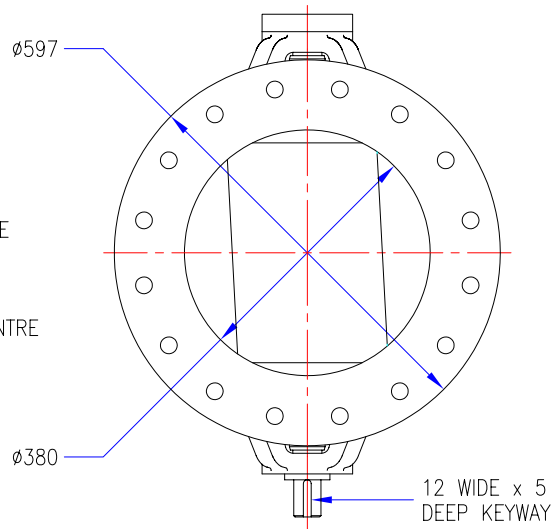


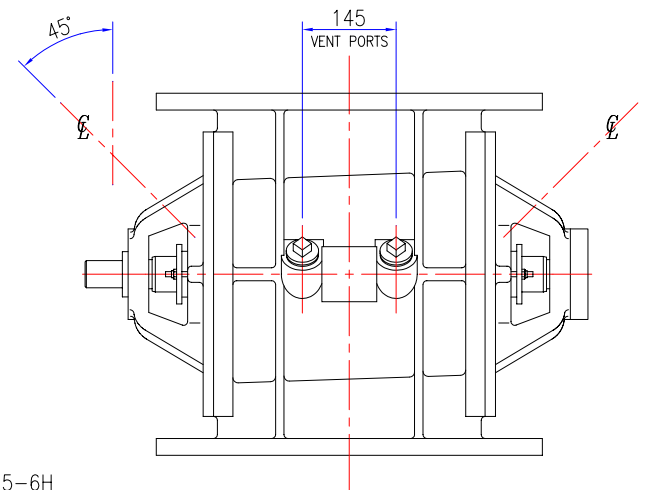
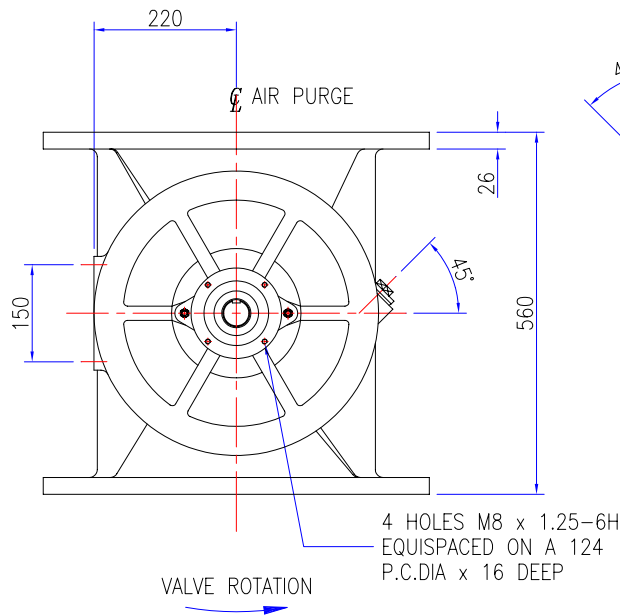
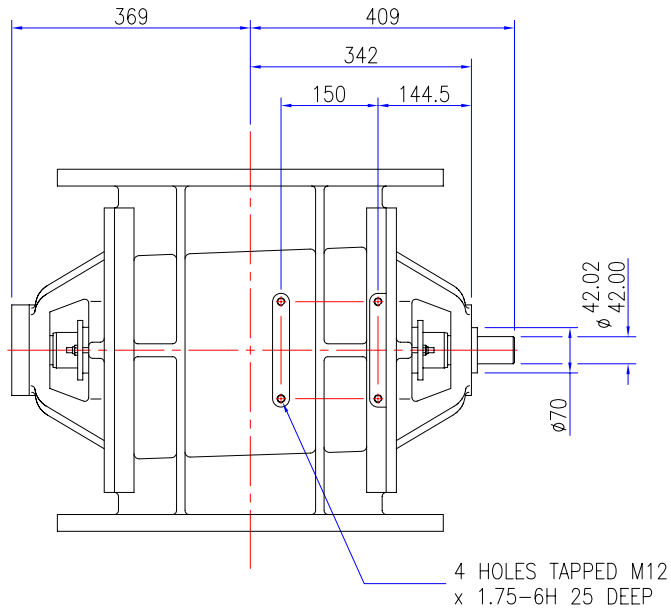
FLANGE DRILLING OPTIONS:-

BS4504 PN10 (DIN 2501)
16 HOLES 26 DIA
EQUI-SP ON 515 PCD OFFCENTRE

ANSI B16.5-150FF
16 HOLES 28.6 DIA
EQUI-SP ON 539.75 PCD OFFCENTRE



OPTIONS	INCLUDED	
VENT PORTS (2)	1.5" BSP	1.5" NPT
AIR PURGE (2)	1/4" BSP	1/4" NPT
FLANGE DRILLING	BS4504	ANSI
APPROX VALVE WEIGHT		
CI+ST STL 275Kg : AL ALLOY 195Kg		
ORDER No.		
JOB No. J		
CERTIFIED		



A	ORIGINAL
	REVISIONS

TOLERANCES	UP TO VALVE SIZE	VALVE SIZE & OVER
FACE-FACE	250 ±1.5	300 ±3
FLANGE THK.	450 ±3	500 ±5
PIPE O/D	100 ±1.5	115 ±2
OTHER	450 ±6	500 ±8

PROJECTION	
SCALE :	1:4 (A1)
DIMENSIONS IN mm	

ROTAVAL			
CHIPPENHAM WILTS			
DRN	CHKD	APPD	DATE
J.PORTER	SC	D.C.S	13-06-02

TITLE		ROUND FLANGE HD400 BARESHAFT PLANNING IN DIMENSIONS	
JOB No.	DRG No.	SHEET	ISSUE
	RDF-HD400-BS	1	A