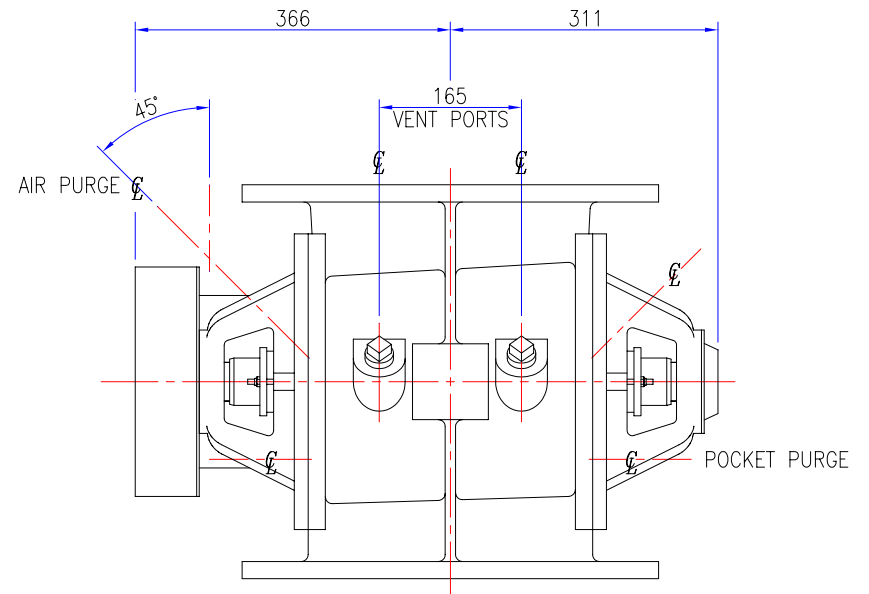
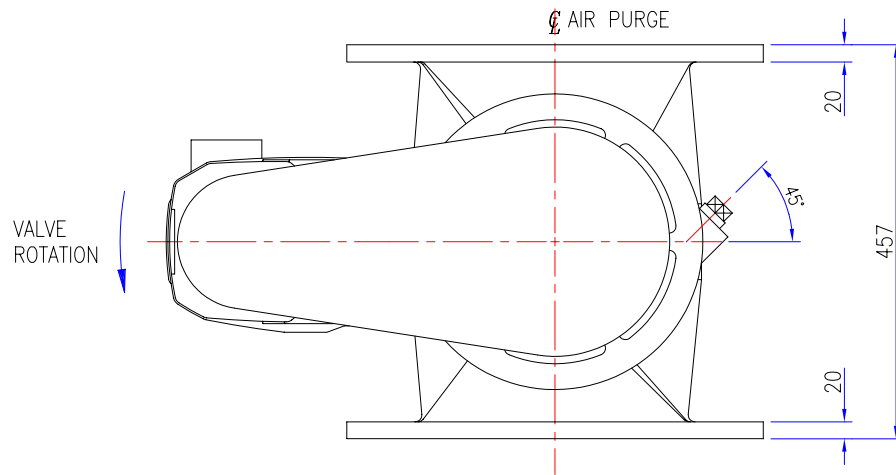


FLANGE DRILLING OPTIONS:-  
 BS4504 PN10 (DIN 2501)  
 12 HOLES 22 DIA  
 EQUI-SP ON 400 PCD OFFCENTRE  
 ANSI B16.5-150FF  
 12 HOLES 25.4 DIA  
 EQUI-SP ON 431.8 PCD OFFCENTRE

OPTIONS		INCLUDED	
VENT PORTS (2)	1" BSP	1" NPT	
AIR PURGE (2)	1/4" BSP	1/4" NPT	
POCKET PURGE (2)	1/4" BSP	1/4" NPT	
FLANGE DRILLING	BS4504	ANSI	
GMU	kW		
APPROX VALVE WEIGHT			
CI+ST STL 190Kg : AL ALLOY 145Kg			
ORDER No.			
JOB No. J			
CERTIFIED			



A	ORIGINAL
	REVISIONS

TOLERANCES	UP TO VALVE SIZE	VALVE SIZE & OVER
FACE-FACE	250 ±1.5	300 ±3
FLANGE THK.	450 ±3	500 ±5
PIPE O/D	100 ±1.5	115 ±2
OTHER	450 ±6	500 ±8

PROJECTION	
SCALE :	1:3 (A1)
DIMENSIONS IN mm	

<b>ROTAVAL</b>			
CHIPPENHAM WILTS			
DRN	CHKD	APPD	DATE
J.PORTER	SC	D.C.S	21-01-02

TITLE				ROUND FLANGE HD300 WITH DRIVE PLANNING IN DIMENSIONS			
JOB No.			DRG No.			SHEET/ISSUE	
			RDF-HD300-WD			1 A	