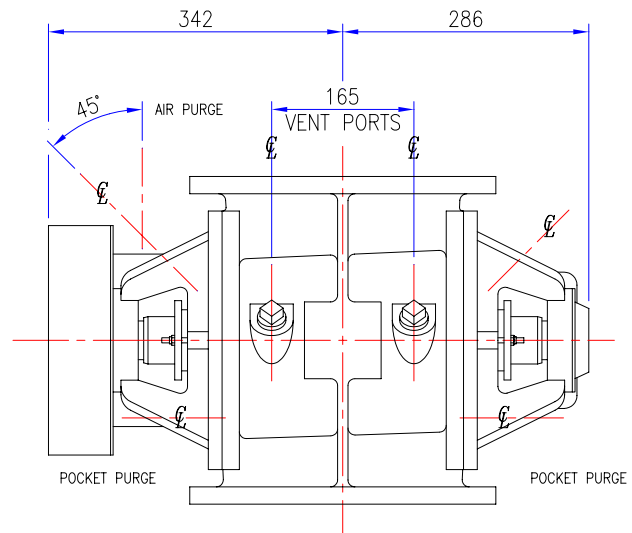
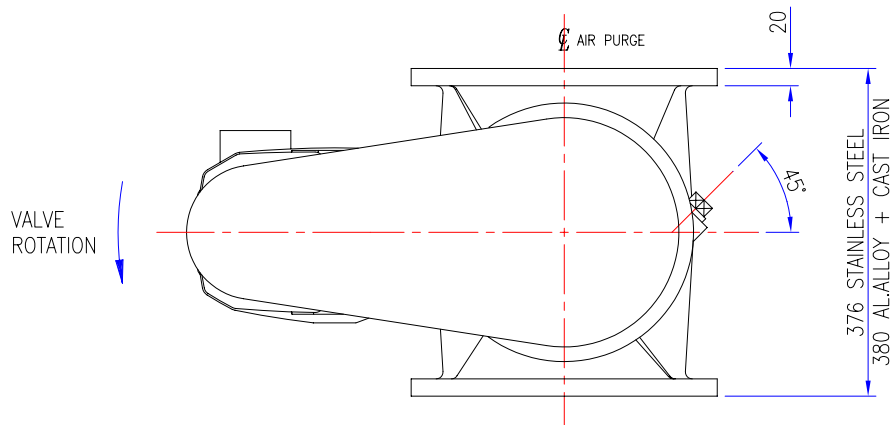


| OPTIONS | | INCLUDED | |
|----------------------------------|----------|----------|--|
| VENT PORTS (2) | 1" BSP | 1" NPT | |
| AIR PURGE (2) | 1/4" BSP | 1/4" NPT | |
| POCKET PURGE (2) | 1/4" BSP | 1/4" NPT | |
| GMU | kW | | |
| APPROX VALVE WEIGHT | | | |
| CI+ST STL 155Kg : AL ALLOY 125Kg | | | |
| ORDER No. | | | |
| JOB No. J | | | |
| CERTIFIED | | | |



| | |
|---|-----------|
| A | ORIGINAL |
| | REVISIONS |

| TOLERANCES | UP TO VALVE SIZE | VALVE SIZE & OVER |
|-------------|------------------|-------------------|
| FACE-FACE | 250 ±1.5 | 300 ±3 |
| FLANGE THK. | 450 ±3 | 500 ±5 |
| PIPE O/D | 100 ±1.5 | 115 ±2 |
| OTHER | 450 ±6 | 500 ±8 |

| | |
|------------------|----------|
| PROJECTION | |
| SCALE : | 1:3 (A1) |
| DIMENSIONS IN mm | |
| ©ROTA VAL | |

ROTAVAL
CHIPPENHAM WILTS

| | | | |
|----------|------|-------|----------|
| DRN | CHKD | APPD | DATE |
| J.PORTER | SC | D.C.S | 09-11-01 |

| | | | |
|--|--------------|-------------|---|
| TITLE | | SHEET ISSUE | |
| SQUARE FLANGE HD250 WITH DRIVE PLANNING IN DIMENSIONS | | 1 | A |
| JOB No. | DRG No. | SHEET ISSUE | |
| | SQF-HD250-WD | 1 | A |