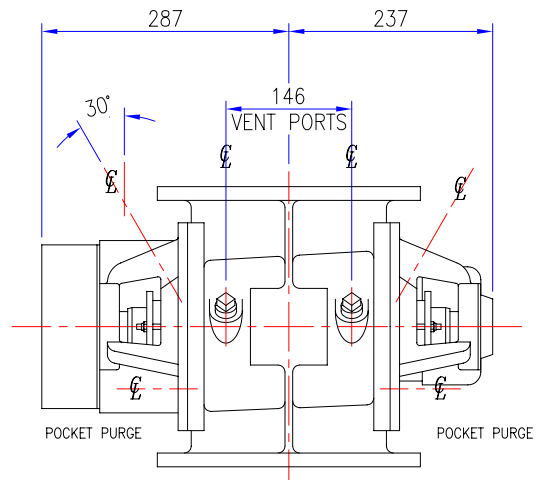
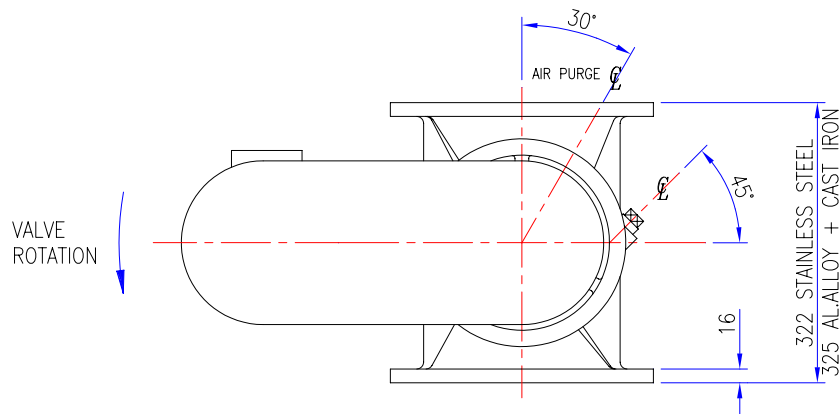


FLANGES DRILLED
8 HOLES 14 DIA

OPTIONS		INCLUDED	
VENT PORTS (2)	3/4" BSP	3/4" NPT	
AIR PURGE (2)	1/4" BSP	1/4" NPT	
POCKET PURGE (2)	1/4" BSP	1/4" NPT	
GMU kW			
APPROX VALVE WEIGHT			
CI+ST STL 100Kg : AL ALLOY 90Kg			
ORDER No.			
JOB No. J			
CERTIFIED			



A	ORIGINAL
	REVISIONS

TOLERANCES	UP TO VALVE SIZE	VALVE SIZE & OVER
FACE-FACE	250 ±1.5	300 ±3
FLANGE THK.	450 ±3	500 ±5
PIPE O/D	100 ±1.5	115 ±2
OTHER	450 ±6	500 ±8

PROJECTION	
SCALE : 1:3 (A1)	
DIMENSIONS IN mm	

ROTAVAL			
CHIPPENHAM WILTS			
DRN	CHKD	APPD	DATE
J.PORTER	SC	D.C.S	17-10-01

TITLE				SQUARE FLANGE HD200 WITH DRIVE PLANNING IN DIMENSIONS			
JOB No.			DRG No.			SHEET/ISSUE	
			SQF-HD200-WD			1 A	