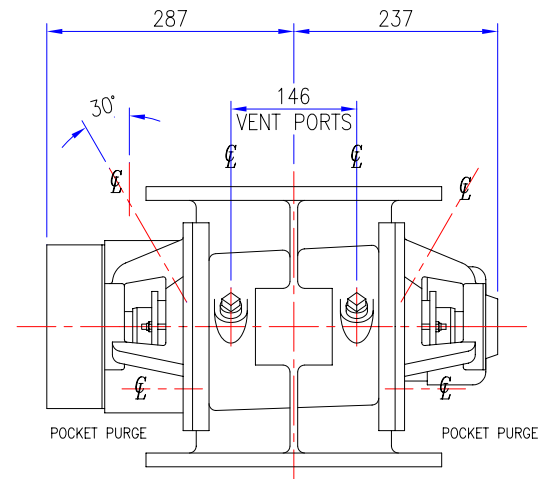
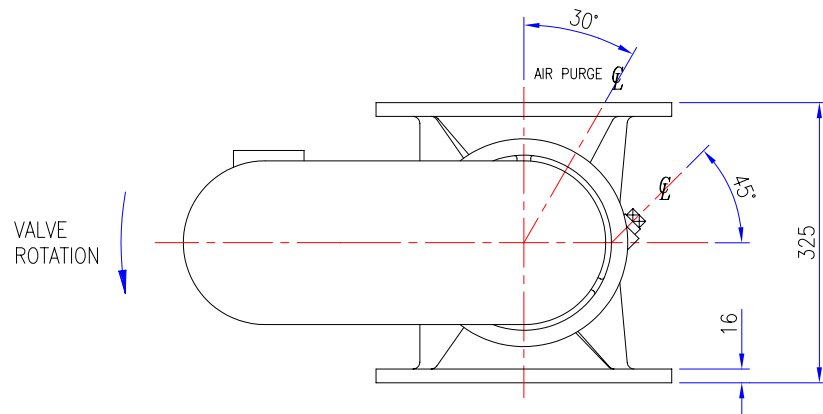


FLANGE DRILLING OPTIONS:-

BS4504 PN10 (DIN 2501)
 8 HOLES 22 DIA
 EQUI-SP ON 295 PCD OFFCENTRE

ANSI B16.5-150FF
 8 HOLES 22 DIA
 EQUI-SP ON 298.5 PCD OFFCENTRE

OPTIONS		INCLUDED	
VENT PORTS (2)	3/4" BSP	3/4" NPT	
AIR PURGE (2)	1/4" BSP	1/4" NPT	
POCKET PURGE (2)	1/4" BSP	1/4" NPT	
FLANGE DRILLING	BS4504	ANSI	
GMU kW			
APPROX VALVE WEIGHT			
CI+ST STL 100Kg : AL ALLOY 90Kg			
ORDER No.			
JOB No. J			
CERTIFIED			



A	ORIGINAL
	REVISIONS

TOLERANCES	UP TO VALVE SIZE	VALVE SIZE & OVER
FACE-FACE	250 ±1.5	300 ±3
FLANGE THK.	450 ±3	500 ±5
PIPE O/D	100 ±1.5	115 ±2
OTHER	450 ±6	500 ±8

PROJECTION	
SCALE : 1:3 (A1)	
DIMENSIONS IN mm	

ROTAVAL			
CHIPPENHAM WILTS			
DRN	CHKD	APPD	DATE
J.PORTER	SC	D.C.S	17-10-01

TITLE				ROUND FLANGE HD200 WITH DRIVE PLANNING IN DIMENSIONS	
JOB No.		DRG No.		SHEET/ISSUE	
		RDF-HD200-WD		1 A	