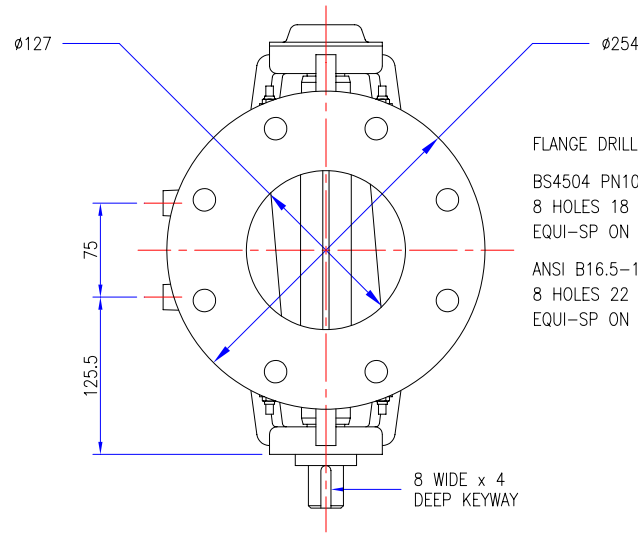


OUTLET FLANGE DETAILS



FLANGE DRILLING OPTIONS:-

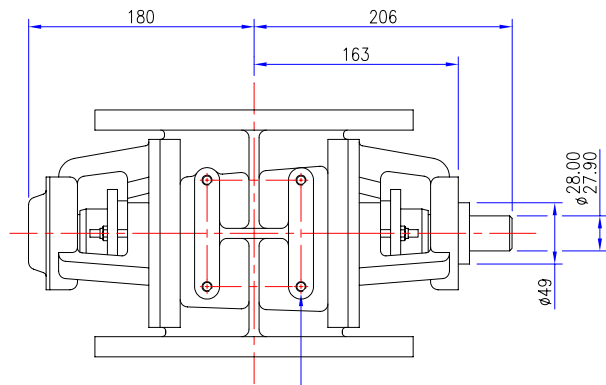
BS4504 PN10 (DIN 2501)
8 HOLES 18 DIA
EQUI-SP ON 210 PCD OFFCENTRE

ANSI B16.5-150FF
8 HOLES 22 DIA
EQUI-SP ON 216 PCD OFFCENTRE

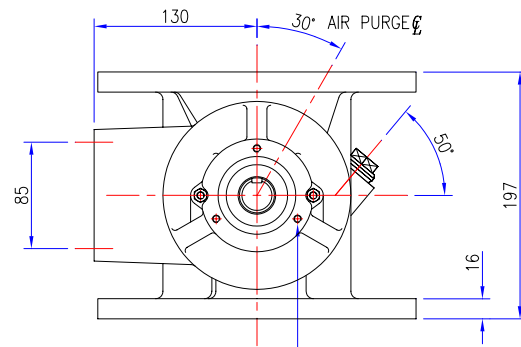
8 WIDE x 4 DEEP KEYWAY

OPTIONS	INCLUDED	
VENT PORT	3/4"BSP	3/4"NPT
AIR PURGE (2)	1/4"BSP	1/4"NPT
POCKET PURGE (2)	1/4"BSP	1/4"NPT
FLANGE DRILLING	BS4504	ANSI
APPROX VALVE WEIGHT		
CI+ST STL 30Kg : AL ALLOY 18Kg		
ORDER No.		
JOB No. J		
CERTIFIED		

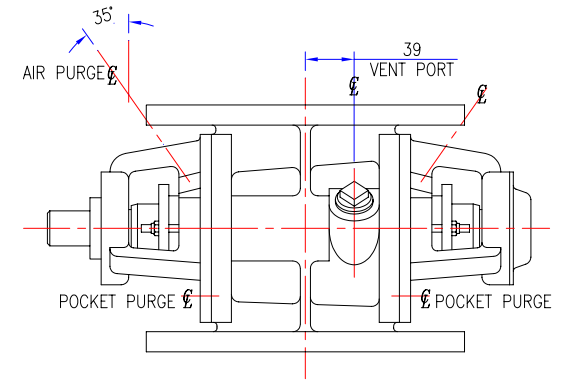
VALVE ROTATION



4 HOLES M8 x 1.25-6H 12 DEEP



3 HOLES M6 x 1-6H 12 DEEP
EQUI-SPACED ON A 75 PCD



A	ORIGINAL
	REVISIONS

TOLERANCES	UP TO VALVE SIZE	VALVE SIZE & OVER
FACE-FACE	250 ±1.5	300 ±3
FLANGE THK.	450 ±3	500 ±5
PIPE O/D	100 ±1.5	115 ±2
OTHER	450 ±6	500 ±8

PROJECTION	
SCALE :	1:2 (A1)
DIMENSIONS IN mm	
©ROTA VAL	

ROTAVAL
CHIPPENHAM WILTS

DRN	CHKD	APPD	DATE
J.PORTER	SC	D.C.S	09-07-02

TITLE		ROUND FLANGE HD125 BARESHAFT PLANNING IN DIMENSIONS	
JOB No.	DRG No.	SHEET/ISSUE	
	RDF-HD125-BS	1	A