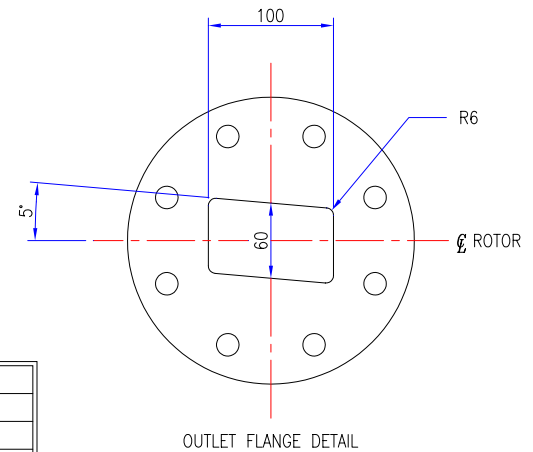


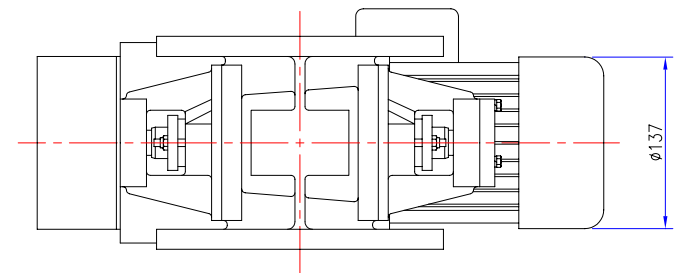
FLANGE DRILLING OPTIONS:-

BS4504 PN10 (DIN 2501)  
8 HOLES 18 DIA  
EQUI-SP ON 185 PCD OFFCENTRE

ANSI B16.5-150FF  
4 HOLES 19 DIA  
EQUI-SP ON 190.5 PCD OFFCENTRE



OPTIONS	INCLUDED	
AIR PURGE (2)	1/8" BSP	1/8" NPT
FLANGE DRILLING	BS4504	ANSI
GMU	kW	
APPROX VALVE WEIGHT		
CI+ST STL 55Kg : AL ALLOY 47Kg		
ORDER No.		
JOB No.	J	
CERTIFIED		



A	ORIGINAL
	REVISIONS

TOLERANCES	UP TO VALVE SIZE	VALVE SIZE & OVER
FACE-FACE	250 ±1.5	300 ±3
FLANGE THK.	450 ±3	500 ±5
PIPE O/D	100 ±1.5	115 ±2
OTHER	450 ±6	500 ±8

PROJECTION	
SCALE :	1:2 (A1)
DIMENSIONS IN	mm
©ROTA VAL	

**ROTAVAL**  
CHIPPENHAM WILTS

DRN	CHKD	APPD	DATE
J.PORTER	SC	D.C.S	04-07-02

TITLE		ROUND FLANGE HD100 WITH DRIVE PLANNING IN DIMENSIONS	
JOB No.	DRG No.	SHEET/ISSUE	
	RDF-HD100-WD	1	A