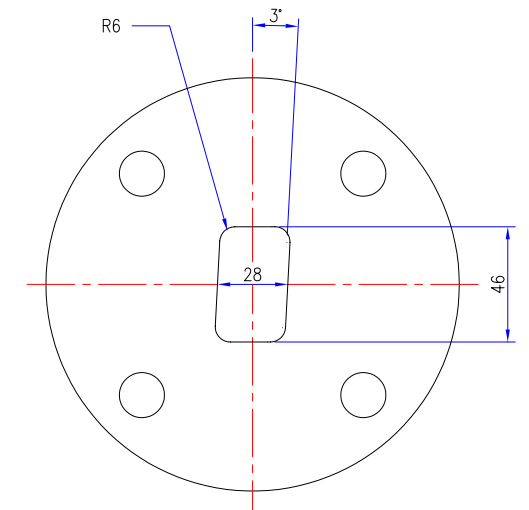


FLANGE DRILLING OPTIONS:-

BS4504 PN10 (DIN 2501)
 4 HOLES 18 DIA
 EQUI-SP ON 125 PCD OFFCENTRE

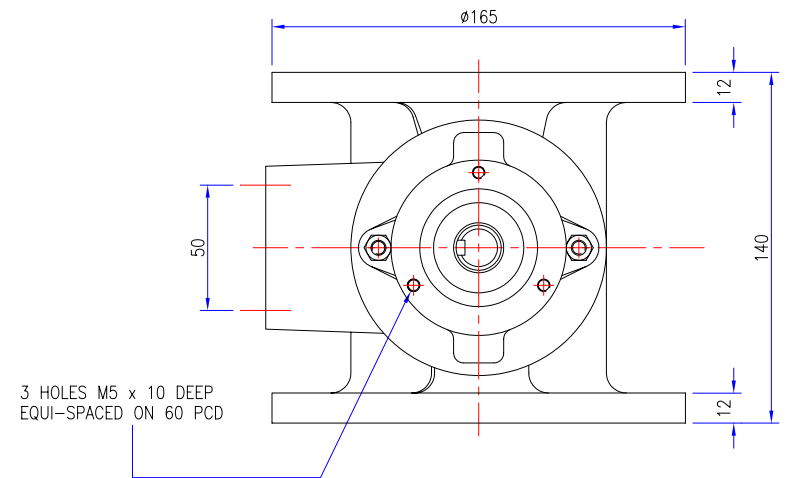
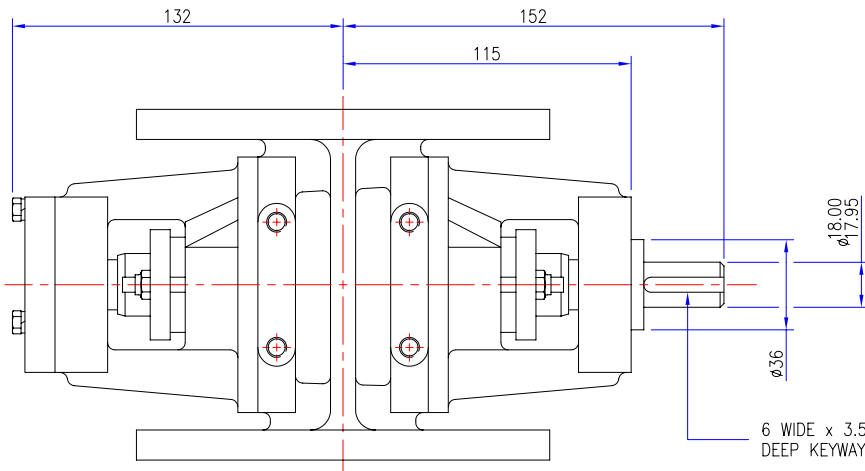
ANSI B16.5-150FF
 4 HOLES 19 DIA
 EQUI-SP ON 120.7 PCD OFFCENTRE

OPTIONS	INCLUDED	
AIR PURGE (2)	1/8" BSP	1/8" NPT
FLANGE DRILLING	BS4504	ANSI
APPROX VALVE WEIGHT		
CI+ST STL 22Kg : AL ALLOY 14Kg		
ORDER No.		
JOB No. J		
CERTIFIED		



OULET FLANGE DETAIL

VALVE ROTATION



A	ORIGINAL
	REVISIONS

TOLERANCES	UP TO VALVE SIZE	VALVE SIZE & OVER
FACE-FACE	250 ± 1.5	300 ± 3
FLANGE THK.	450 ± 3	500 ± 5
PIPE O/D	100 ± 1.5	115 ± 2
OTHER	450 ± 6	500 ± 8

PROJECTION	
SCALE :	1:1 (A1)
DIMENSIONS IN mm	
©ROTA VAL	

CHIPPENHAM WILTS

DRN	CHKD	APPD	DATE
J.PORTER	SC	D.C.S	03-07-02

TITLE		ROUND FLANGE HD50 BARESHAFT PLANNING IN DIMENSIONS	
JOB No.	DRG No.	SHEET	ISSUE
	RDF-HD50-BS	1	A