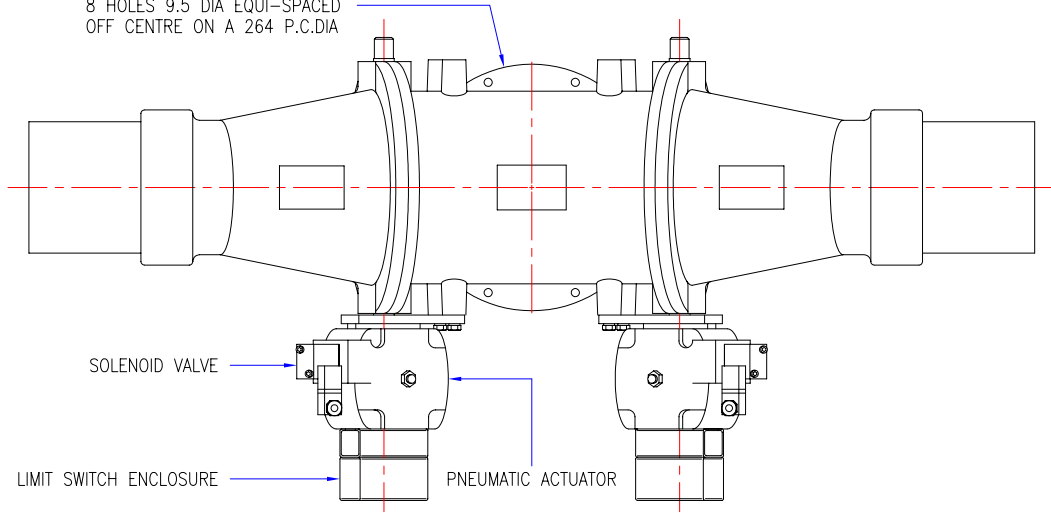
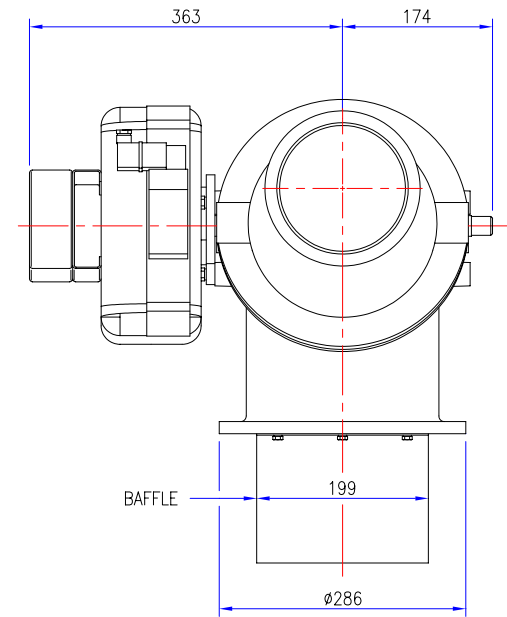
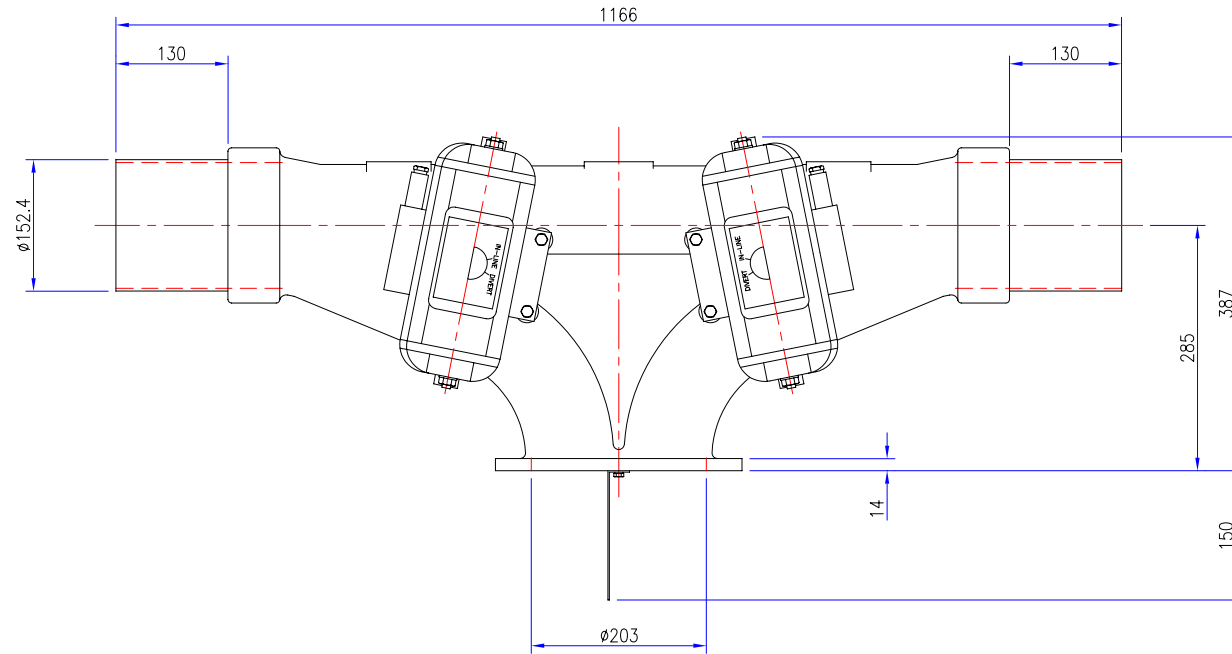


FLANGE DRILLING
8 HOLES 9.5 DIA EQUI-SPACED
OFF CENTRE ON A 264 P.C.DIA



| | |
|---------------------------------|---|
| APPROX VALVE WEIGHT | |
| CI+ST STL 140Kg : AL ALLOY 95Kg | |
| ORDER No. | |
| JOB No. | J |
| CERTIFIED | |



| | |
|---|-----------|
| A | ORIGINAL |
| | REVISIONS |

| TOLERANCES | UP TO VALVE SIZE | VALVE SIZE & OVER |
|-------------|------------------|-------------------|
| FACE-FACE | 250 ±1.5 | 300 ±3 |
| FLANGE THK. | 450 ±3 | 500 ±5 |
| PIPE O/D | 100 ±1.5 | 115 ±2 |
| OTHER | 450 ±6 | 500 ±8 |

| | |
|------------------|----------|
| PROJECTION | |
| SCALE : | 1:3 (A1) |
| DIMENSIONS IN mm | |
| ©ROTA VAL | |

ROTAVAL

CHIPPENHAM WILTS

| | | | |
|----------|------|------|----------|
| DRN | CHKD | APPD | DATE |
| J.PORTER | SC | | 30-10-02 |

| | | | |
|---------|---|-------------|---|
| TITLE | FVPA150 FILL-VENT PLANNING IN DIMENSIONS | | |
| JOB No. | DRG No. | SHEET/ISSUE | |
| | FVPA-150 | 1 | A |