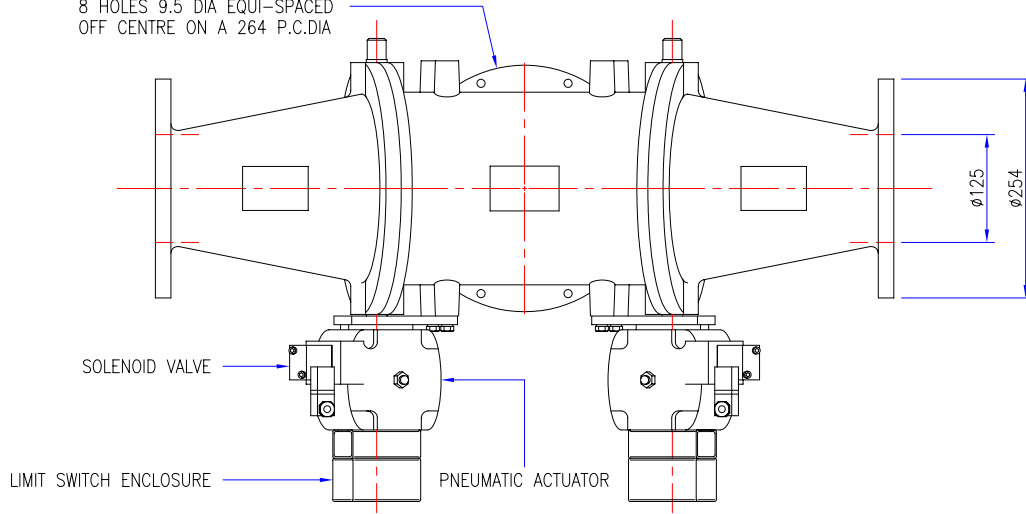
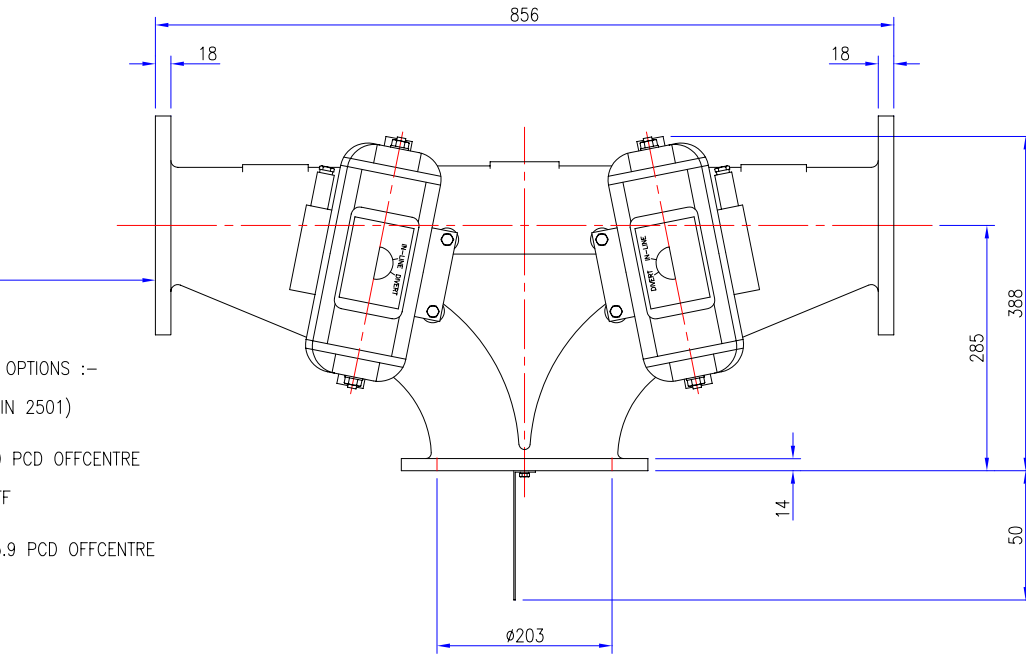


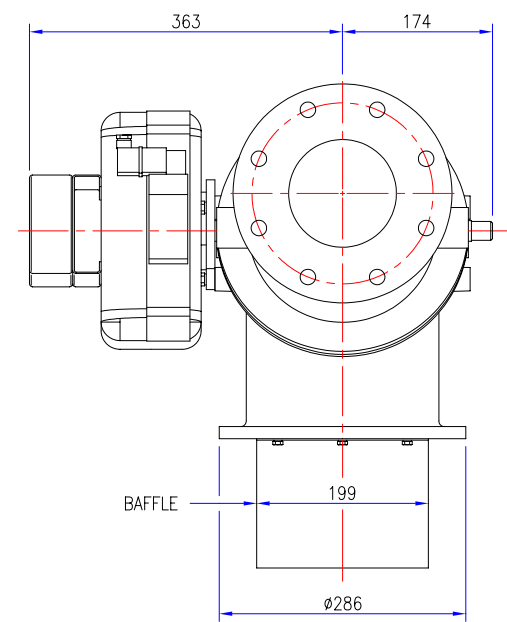
FLANGE DRILLING
8 HOLES 9.5 DIA EQUI-SPACED
OFF CENTRE ON A 264 P.C.DIA



OPTIONS	INCLUDED		
FLANGE DRILLING	BS4504		ANSI
APPROX VALVE WEIGHT			
CI+ST STL 106Kg : AL ALLOY 66Kg			
ORDER No.			
JOB No. J			
CERTIFIED			



FLANGE DRILLING OPTIONS :-
BS4504 PN10 (DIN 2501)
8 HOLES 18 DIA
EQUI-SP ON 210 PCD OFFCENTRE
ANSI B16.5-150FF
8 HOLES 22 DIA
EQUI-SP ON 215.9 PCD OFFCENTRE



A	ORIGINAL
	REVISIONS

TOLERANCES	UP TO VALVE SIZE	VALVE SIZE & OVER
FACE-FACE	250 ±1.5	300 ±3
FLANGE THK.	450 ±3	500 ±5
PIPE O/D	100 ±1.5	115 ±2
OTHER	450 ±6	500 ±8

PROJECTION	
SCALE :	1:3 (A1)
DIMENSIONS IN mm	
©ROTA VAL	

ROTAVAL			
CHIPPENHAM WILTS			
DRN	CHKD	APPD	DATE
J.PORTER	SC		29-10-02

TITLE		FVFA125 FILL-VENT PLANNING IN DIMENSIONS		
JOB No.	DRG No.	SHEET ISSUE		
	FVFA-125	1	A	