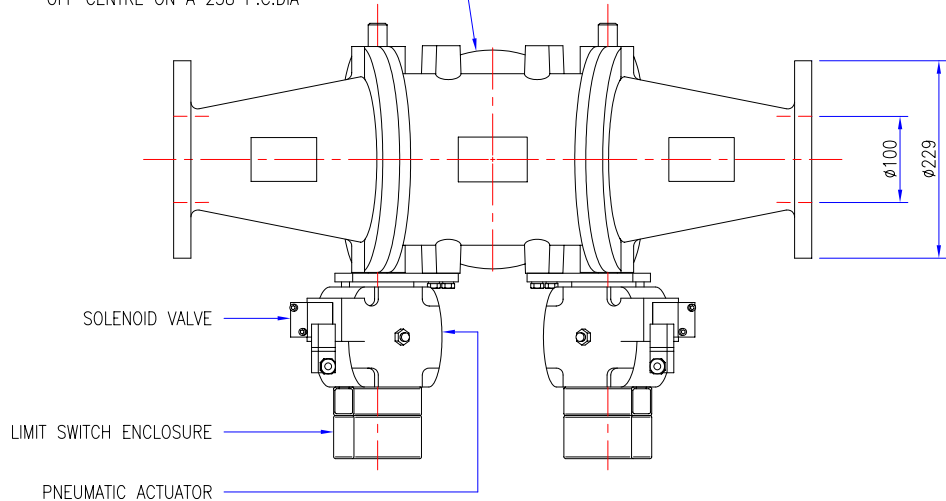
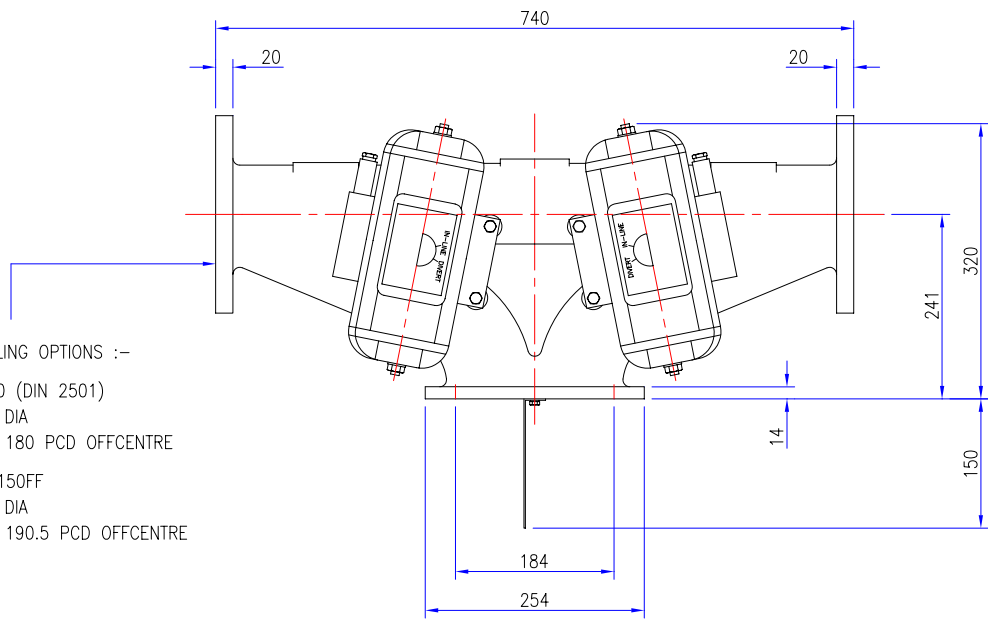


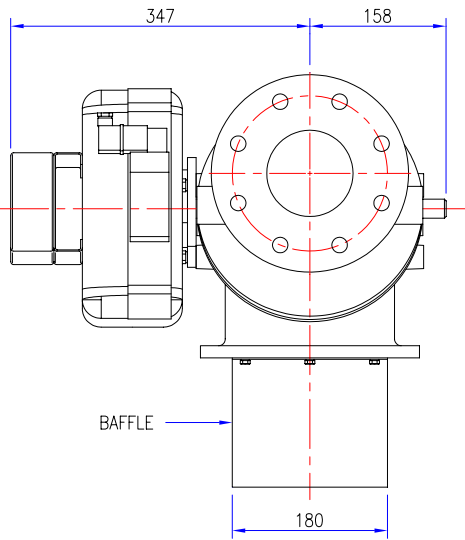
FLANGE DRILLING  
8 HOLES 9.5 DIA EQUI-SPACED  
OFF CENTRE ON A 238 P.C.D.IA



OPTIONS	INCLUDED		
FLANGE DRILLING	BS4504	ANSI	
APPROX VALVE WEIGHT			
CI+ST STL 103Kg : AL ALLOY 44Kg			
ORDER No.			
JOB No. J			
CERTIFIED			



FLANGE DRILLING OPTIONS :-  
BS4504 PN10 (DIN 2501)  
8 HOLES 18 DIA  
EQUI-SP ON 180 PCD OFFCENTRE  
ANSI B16.5-150FF  
8 HOLES 19 DIA  
EQUI-SP ON 190.5 PCD OFFCENTRE



A	ORIGINAL
	REVISIONS

TOLERANCES	UP TO VALVE SIZE	VALVE SIZE & OVER
FACE-FACE	250 ±1.5	300 ±3
FLANGE THK.	450 ±3	500 ±5
PIPE O/D	100 ±1.5	115 ±2
OTHER	450 ±6	500 ±8

PROJECTION	
SCALE :	1:3 (A1)
DIMENSIONS IN mm	
©ROTA VAL	

**ROTAVAL**  
CHIPPENHAM WILTS

DRN	CHKD	APPD	DATE
J.PORTER	SC	D.C.S	28-10-02

TITLE	FVFA100 FILL-VENT VALVE PLANNING IN DIMENSIONS		
JOB No.	DRG No.	SHEET/ISSUE	
	FVFA-100	1	A