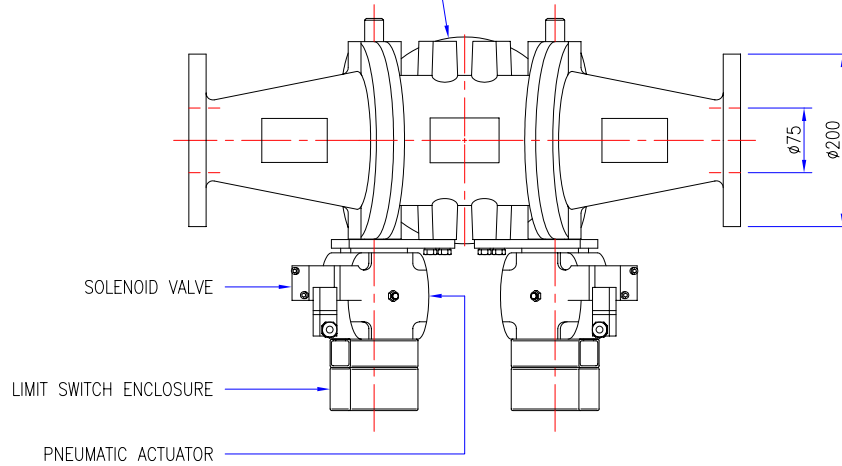


FLANGE DRILLING  
8 HOLES 9.5 DIA EQUI-SPACED  
OFF CENTRE ON A 210 P.C.DIA

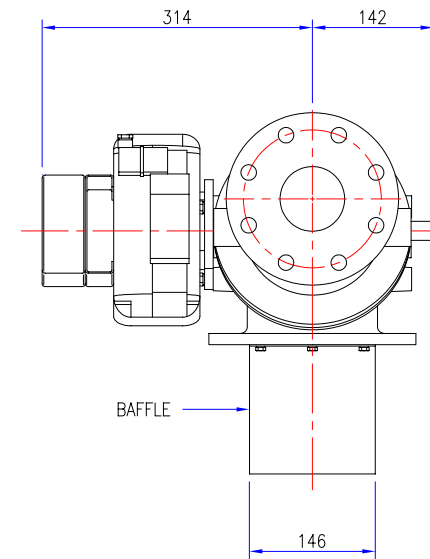
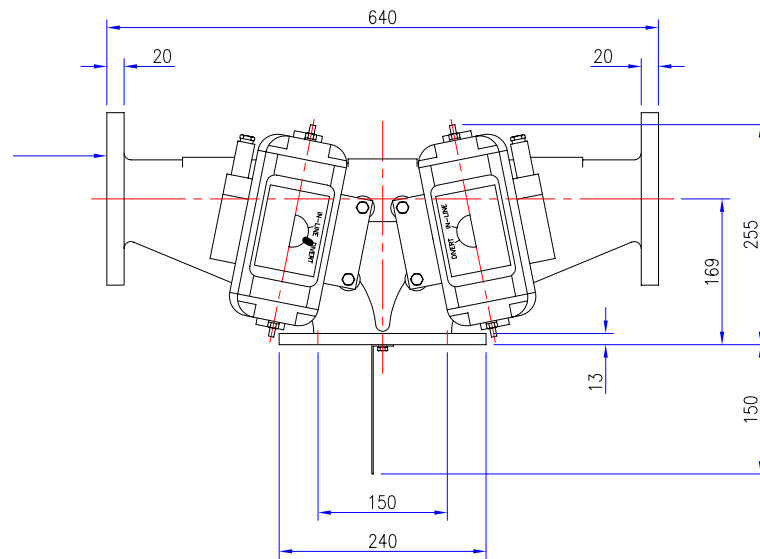


OPTIONS	INCLUDED		
FLANGE DRILLING	BS4504	ANSI	
APPROX VALVE WEIGHT			
CI+ST STL 99Kg : AL ALLOY 40Kg			
ORDER No.			
JOB No. J			
CERTIFIED			

FLANGE DRILLING OPTIONS :-

BS4504 PN10 (DIN 2501)  
8 HOLES 18 DIA  
EQUI-SP ON 160 PCD OFFCENTRE

ANSI B16.5-150FF  
4 HOLES 19 DIA  
EQUI-SP ON 152.4 PCD OFFCENTRE



A	ORIGINAL
	REVISIONS

TOLERANCES	UP TO VALVE SIZE	VALVE SIZE & OVER
FACE-FACE	250 $\pm 1.5$	300 $\pm 3$
FLANGE THK.	450 $\pm 3$	500 $\pm 5$
PIPE O/D	100 $\pm 1.5$	115 $\pm 2$
OTHER	450 $\pm 6$	500 $\pm 8$

PROJECTION	
SCALE :	1:3 (A1)
DIMENSIONS IN mm	

<b>ROTAVAL</b>			
CHIPPENHAM WILTS			
DRN	CHKD	APPD	DATE
J.PORTER	SC	D.C.S	25-10-02

TITLE		FVFA80 FILL-VENT VALVE PLANNING IN DIMENSIONS		
JOB No.	DRG No.	FVFA-080		SHEET ISSUE
				1 A