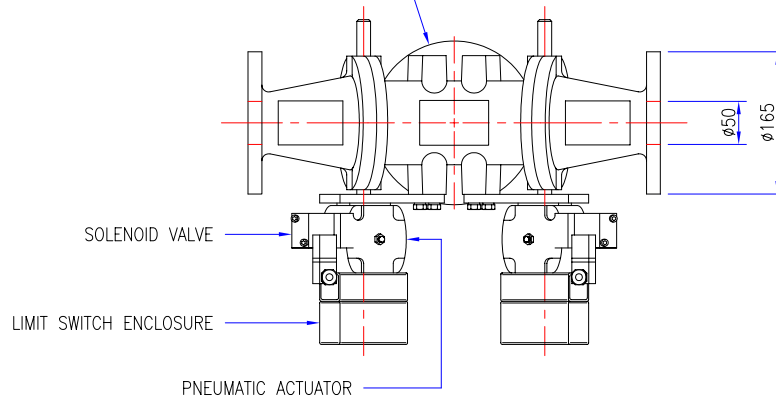


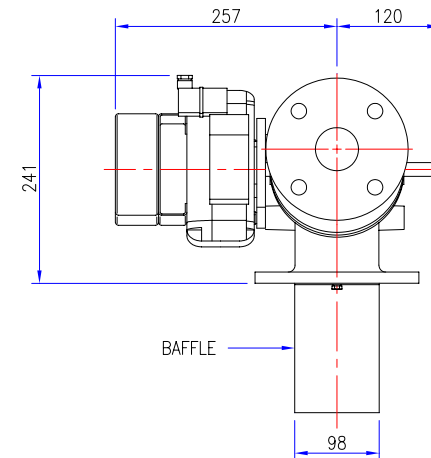
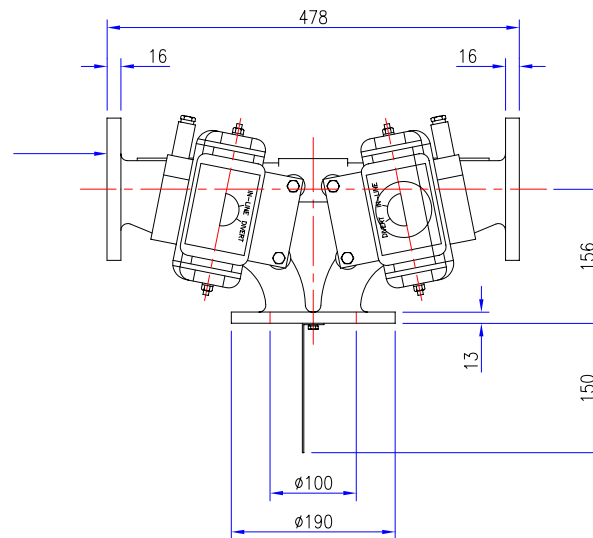
FLANGE DRILLING
8 HOLES 9.5 DIA EQUI-SPACED
OFF CENTRE ON A 160 P.C.DIA



OPTIONS	INCLUDED		
FLANGE DRILLING	BS4504	ANSI	
APPROX VALVE WEIGHT			
CI+ST STL 50Kg : AL ALLOY 23Kg			
ORDER No.			
JOB No. J			
CERTIFIED			

FLANGE DRILLING OPTIONS :-

- BS4504 PN10 (DIN 2501)
- 4 HOLES 18 DIA
- EQUI-SP ON 125 PCD OFFCENTRE
- ANSI B16.5-150FF
- 4 HOLES 19 DIA
- EQUI-SP ON 120.7 PCD OFFCENTRE



A	ORIGINAL
	REVISIONS

TOLERANCES	UP TO VALVE SIZE	VALVE SIZE & OVER
FACE-FACE	250 ±1.5	300 ±3
FLANGE THK.	450 ±3	500 ±5
PIPE O/D	100 ±1.5	115 ±2
OTHER	450 ±6	500 ±8

PROJECTION	
SCALE :	1:3 (A1)
DIMENSIONS IN mm	
©ROTA VAL	

ROTAVAL			
CHIPPENHAM WILTS			
DRN	CHKD	APPD	DATE
J.PORTER	SC	D.C.S	24-10-02

TITLE		FVFA50 FILL-VENT VALVE PLANNING IN DIMENSIONS		
JOB No.	DRG No.	FVFA-050		SHEET ISSUE
				1 A