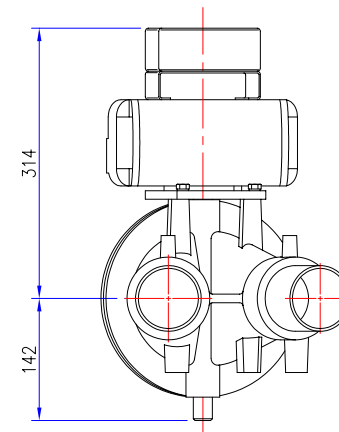
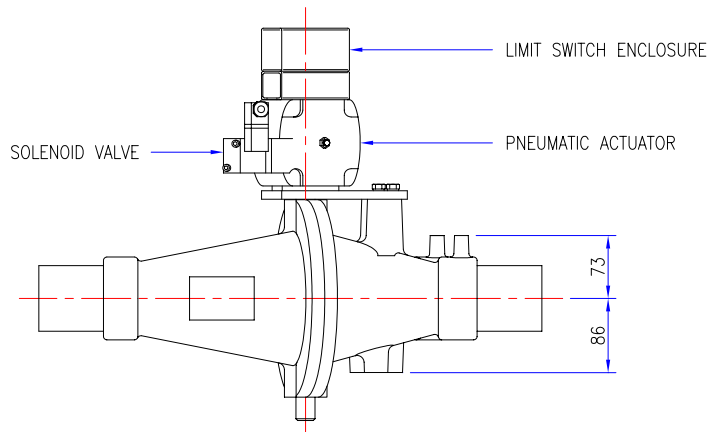


APPROX VALVE WEIGHT	
CI+ST STL 35Kg : AL ALLOY 19Kg	
ORDER No.	
JOB No.	J
CERTIFIED	



A	ORIGINAL
	REVISIONS

TOLERANCES	UP TO VALVE SIZE	VALVE SIZE & OVER
FACE-FACE	250 ±1.5	300 ±3
FLANGE THK.	450 ±3	500 ±5
PIPE O/D	100 ±1.5	115 ±2
OTHER	450 ±6	500 ±8

PROJECTION	
SCALE :	1:3 (A1)
DIMENSIONS IN mm	
©ROTA VAL	

ROTAVAL
CHIPPENHAM WILTS

DRN	CHKD	APPD	DATE
J.PORTER	SC	D.C.S	14-10-11

TITLE				FDPA80 DIVERTER VALVE LEFT HAND DIVERT PLANNING IN DIMENSIONS		
JOB No.		DRG No.		SHEET/ISSUE		
		FDPA-080-LHD		1 A		