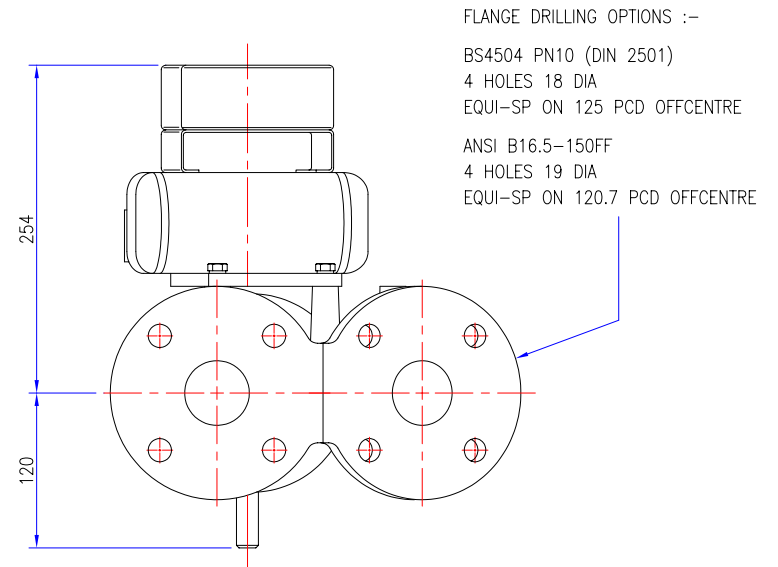
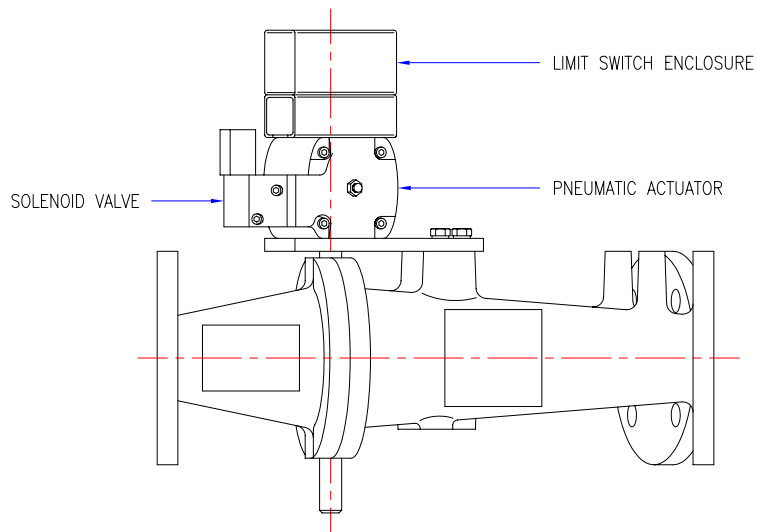


OPTIONS	INCLUDED		
FLANGE DRILLING	BS4504	ANSI	
APPROX VALVE WEIGHT			
CI+ST STL 30Kg : AL ALLOY 15Kg			
ORDER No.			
JOB No. J			
CERTIFIED			



A	ORIGINAL
	REVISIONS

TOLERANCES	UP TO VALVE SIZE	VALVE SIZE & OVER
FACE-FACE	250 ±1.5	300 ±3
FLANGE THK.	450 ±3	500 ±5
PIPE O/D	100 ±1.5	115 ±2
OTHER	450 ±6	500 ±8

PROJECTION	
SCALE :	1:2 (A1)
DIMENSIONS IN mm	
©ROTA VAL	

ROTAVAL
CHIPPENHAM WILTS

DRN	CHKD	APPD	DATE
J.PORTER	SC	D.C.S	19-09-02

TITLE		FDFA50 DIVERTER VALVE LEFT HAND DIVERT PLANNING IN DIMENSIONS	
JOB No.	DRG No.	SHEET/ISSUE	
	FDFA-050-LHD	1	A