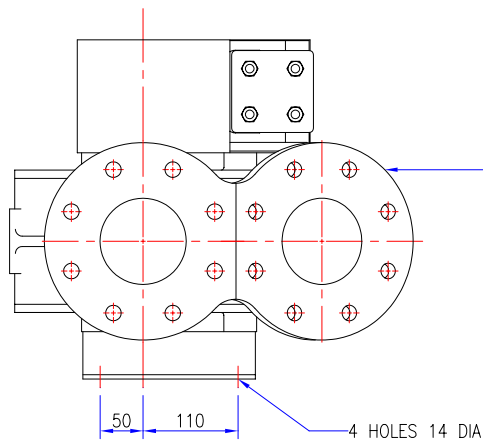
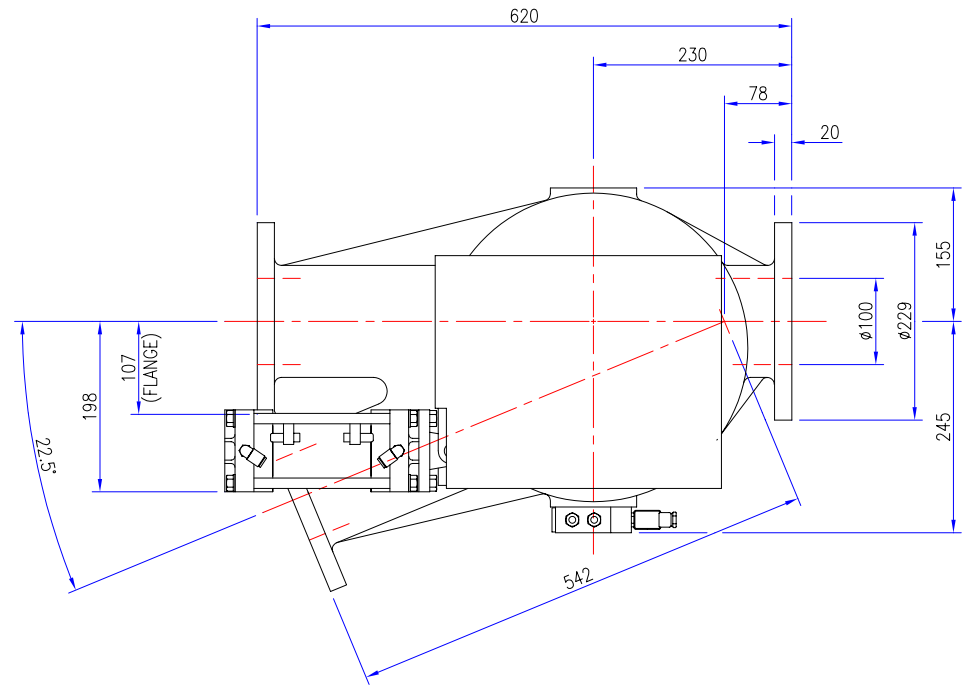


OPTIONS	INCLUDED		
FLANGE DRILLING	BS4504		ANSI
APPROX VALVE WEIGHT			
CI+ST STL 105Kg : AL ALLOY 70Kg			
ORDER No.			
JOB No. J			
CERTIFIED			

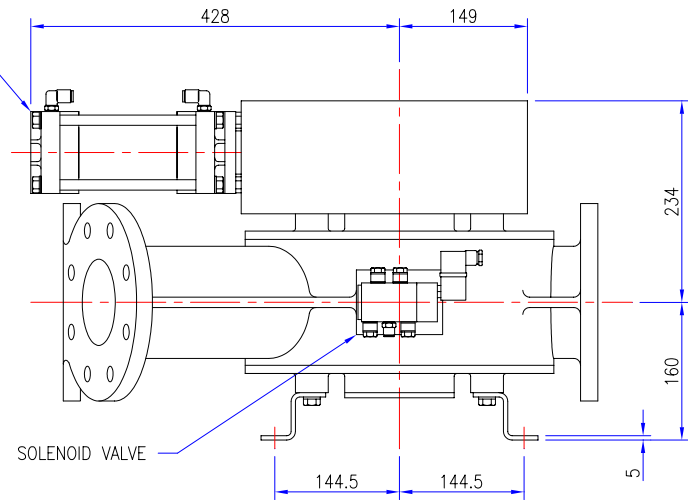


FLANGE DRILLING OPTIONS :-

BS4504 PN10 (DIN 2501)
8 HOLES 18 DIA
EQUI-SP ON 180 PCD OFFCENTRE

ANSI B16.5-150FF
8 HOLES 19 DIA
EQUI-SP ON 190.5 PCD OFFCENTRE

PNEUMATIC CYLINDER
C/W REED SWITCHES



A	ORIGINAL
	REVISIONS

TOLERANCES	UP TO VALVE SIZE	VALVE SIZE & OVER
FACE-FACE	250 ±1.5	300 ±3
FLANGE THK.	450 ±3	500 ±5
PIPE O/D	100 ±1.5	115 ±2
OTHER	450 ±6	500 ±8

PROJECTION	
SCALE :	1:3 (A1)
DIMENSIONS IN mm	

ROTAVAL			
CHIPPENHAM WILTS			
DRN	CHKD	APPD	DATE
J.PORTER	SC	D.C.S	11-11-02

TITLE		CP100 PLUG DIVERTER VALVE LEFT HAND DIVERT PLANNING IN DIMENSIONS		
JOB No.	DRG No.	SHEET		ISSUE
	CP-100-LHD	1		A