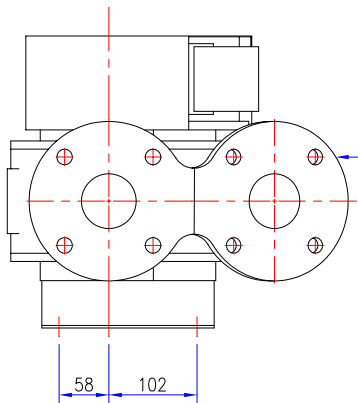
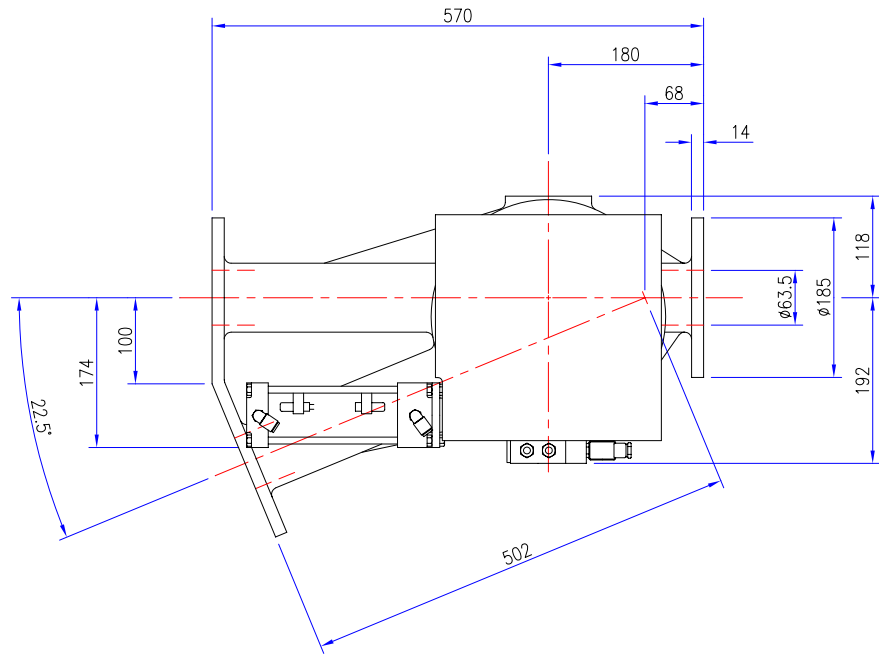
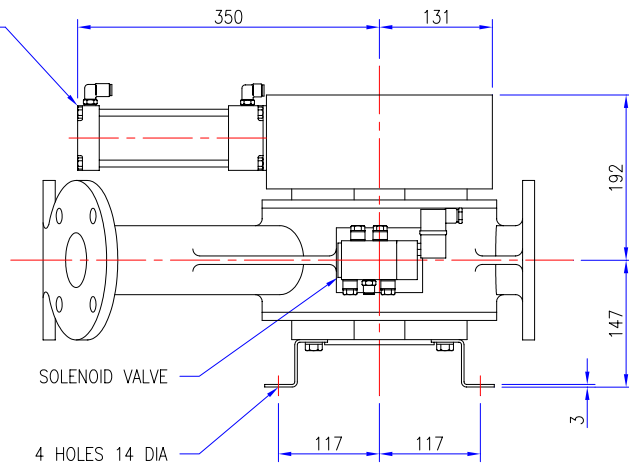


OPTIONS	INCLUDED		
FLANGE DRILLING	BS4504		ANSI
APPROX VALVE WEIGHT			
CI+ST STL 67Kg : AL ALLOY 31Kg			
ORDER No.			
JOB No. J			
CERTIFIED			



FLANGE DRILLING OPTIONS :-
 BS4504 PN10 (DIN 2501)
 4 HOLES 18 DIA
 EQUI-SP ON 145 PCD OFFCENTRE
 ANSI B16.5-150FF
 4 HOLES 19 DIA
 EQUI-SP ON 139.7 PCD OFFCENTRE

PNEUMATIC CYLINDER
 C/W REED SWITCHES



A	ORIGINAL
	REVISIONS

TOLERANCES	UP TO VALVE SIZE	VALVE SIZE & OVER
FACE-FACE	250 ±1.5	300 ±3
FLANGE THK.	450 ±3	500 ±5
PIPE O/D	100 ±1.5	115 ±2
OTHER	450 ±6	500 ±8

PROJECTION	
SCALE :	1:3 (A1)
DIMENSIONS IN mm	
©ROTA VAL	

ROTAVAL
 CHIPPENHAM WILTS

DRN	CHKD	APPD	DATE
J.PORTER	SC	D.C.S	07-11-02

TITLE		CP65 PLUG DIVERTER VALVE LEFT HAND DIVERT PLANNING IN DIMENSIONS	
JOB No.	DRG No.	SHEET	ISSUE
	CP-065-LHD	1	A