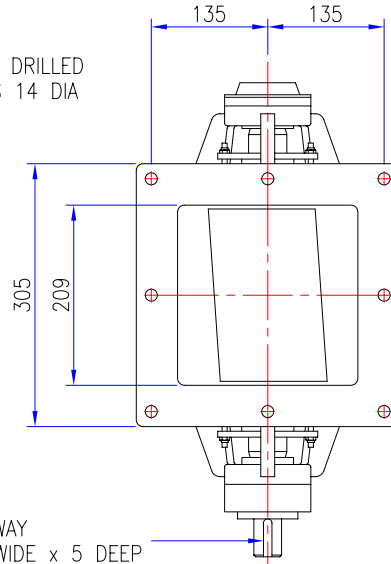
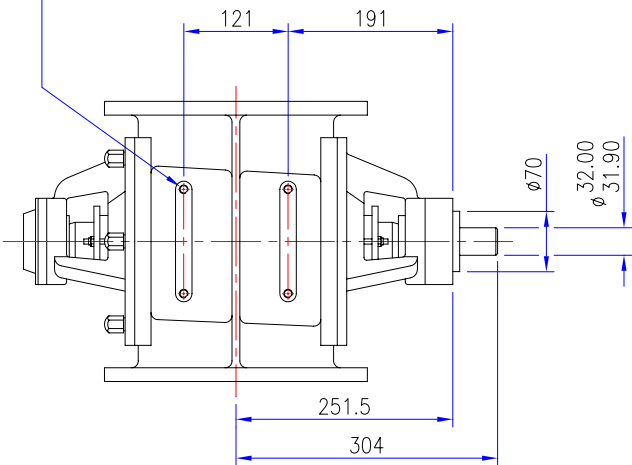


FLANGES DRILLED
8 HOLES 14 DIA

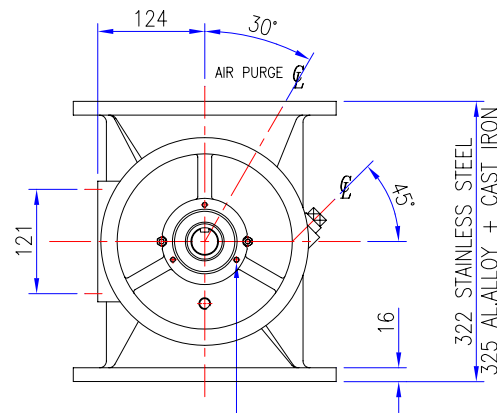


KEYWAY
10 WIDE x 5 DEEP

4 HOLES M10 x 1.5-6H 19 DEEP

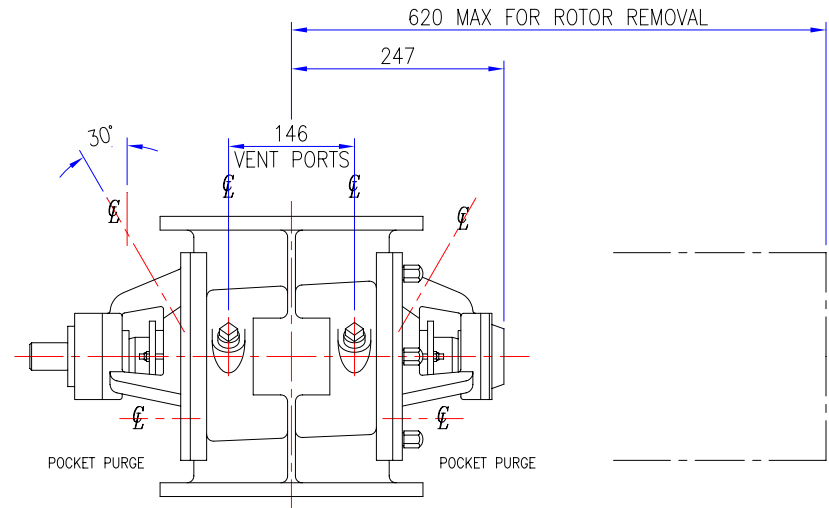


VALVE ROTATION



3 HOLES M6 x 1-6H EQUISPACED
ON AN 85 P.C.DIA x 12 DEEP

OPTIONS	INCLUDED	
VENT PORTS (2)	3/4" BSP	3/4" NPT
AIR PURGE (2)	1/4" BSP	1/4" NPT
POCKET PURGE (2)	1/4" BSP	1/4" NPT
APPROX VALVE WEIGHT		
CI+ST STL 75Kg : AL ALLOY 65Kg		
ORDER No.		
JOB No. J		
CERTIFIED		



A	ORIGINAL
	REVISIONS

TOLERANCES	UP TO VALVE SIZE	VALVE SIZE & OVER
FACE-FACE	250 ±1.5	300 ±3
FLANGE THK.	450 ±3	500 ±5
PIPE O/D	100 ±1.5	115 ±2
OTHER	450 ±6	500 ±8

PROJECTION	
SCALE :	1:3 (A1)
DIMENSIONS IN mm	
©ROTA VAL	

ROTAVAL

CHIPPENHAM WILTS

DRN	CHKD	APPD	DATE
J.PORTER	SC	D.C.S	24-10-01

TITLE		SQUARE FLANGE HDR200 BARESHAF T PLANNING IN DIMENSIONS	
JOB No.		DRG No.	SQF-HDR200-BS
		SHEET	ISSUE
		1	A