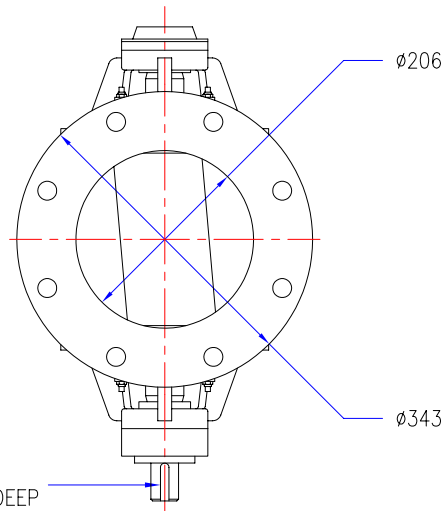


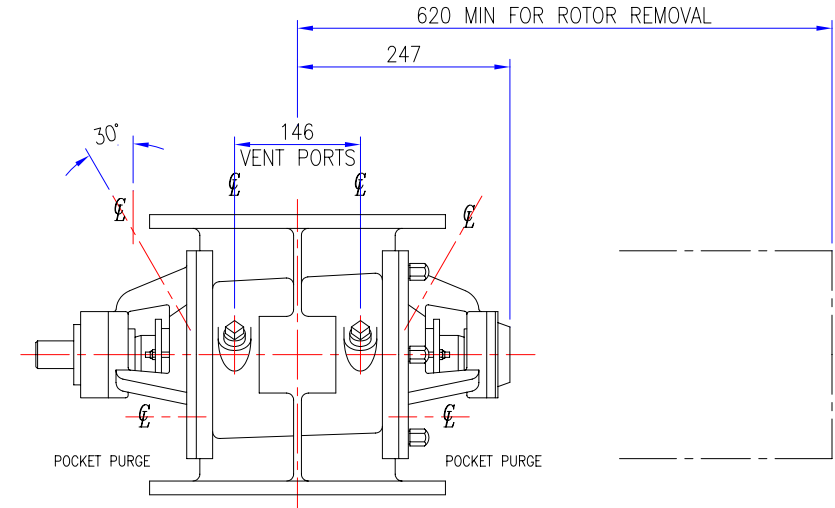
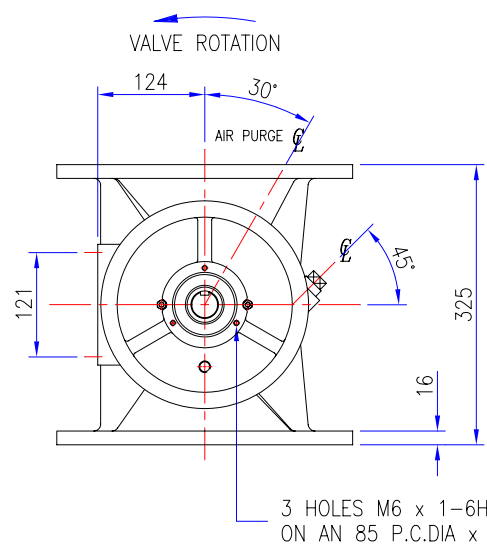
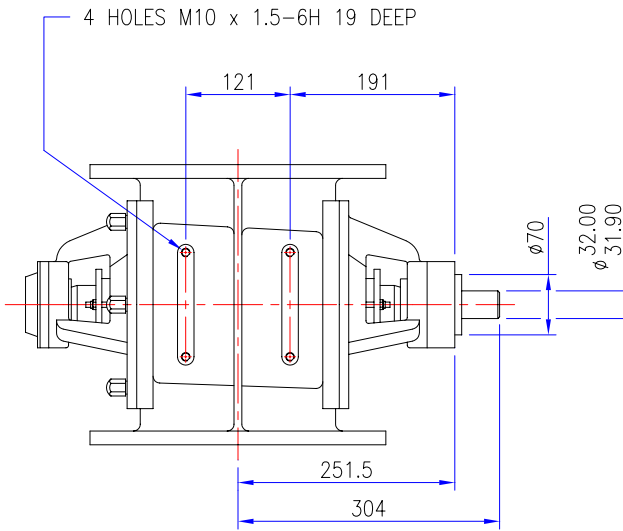
FLANGE DRILLING OPTIONS:-

BS4504 PN10 (DIN 2501)  
8 HOLES 22 DIA  
EQUI-SP ON 295 PCD OFFCENTRE

ANSI B16.5-150FF  
8 HOLES 22 DIA  
EQUI-SP ON 298.5 PCD OFFCENTRE



OPTIONS	INCLUDED	
VENT PORTS (2)	3/4" BSP	3/4" NPT
AIR PURGE (2)	1/4" BSP	1/4" NPT
POCKET PURGE (2)	1/4" BSP	1/4" NPT
FLANGE DRILLING	BS4504	ANSI
APPROX VALVE WEIGHT		
CI+ST STL 75Kg : AL ALLOY 65Kg		
ORDER No.		
JOB No. J		
CERTIFIED		



A	ORIGINAL
	REVISIONS

TOLERANCES	UP TO VALVE SIZE	VALVE SIZE & OVER
FACE-FACE	250 $\pm 1.5$	300 $\pm 3$
FLANGE THK.	450 $\pm 3$	500 $\pm 5$
PIPE O/D	100 $\pm 1.5$	115 $\pm 2$
OTHER	450 $\pm 6$	500 $\pm 8$

PROJECTION	
SCALE	1:3 (A1)
DIMENSIONS IN mm	
© ROTAVAL	

<b>ROTAVAL</b>			
CHIPPENHAM WILTS			
DRN	CHKD	APPD	DATE
J.PORTER	SC	D.C.S	24-10-01

TITLE		ROUND FLANGE HDR200 BARESHAF T PLANNING IN DIMENSIONS	
JOB No.	DRG No.	SHEET	ISSUE
	RDF-HDR200-BS	1	A