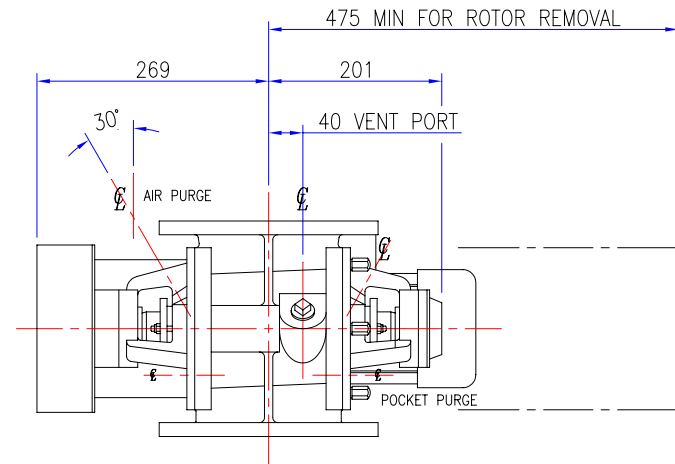
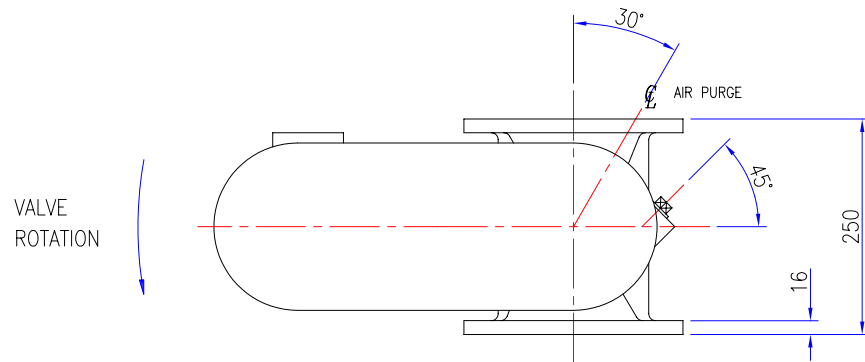


OPTIONS		INCLUDED	
VENT PORT	3/4" BSP	3/4" NPT	
AIR PURGE (2)	1/4" BSP	1/4" NPT	
POCKET PURGE (2)	1/4" BSP	1/4" NPT	
GMU	KW		
APPROX VALVE WEIGHT			
CI+ST STL 75Kg : AL ALLOY 55Kg			
ORDER No.			
JOB No.		J	
CERTIFIED			



A	ORIGINAL
	REVISIONS

TOLERANCES	UP TO VALVE SIZE	VALVE SIZE & OVER
FACE-FACE	250 ±1.5	300 ±3
FLANGE THK.	450 ±3	500 ±5
PIPE O/D	100 ±1.5	115 ±2
OTHER	450 ±6	500 ±8

PROJECTION	
SCALE :	1:3 (A1)
DIMENSIONS IN mm	

ROTAVAL
CHIPPENHAM WILTS

DRN	CHKD	APPD	DATE
J.PORTER	SC	D.C.S	14-09-01

TITLE		SHEET ISSUE	
SQUARE FLANGE HDR150 WITH DRIVE PLANNING IN DIMENSIONS		1	A
JOB No.	DRG No.	SHEET ISSUE	
	SQF-HDR150-WD	1	A