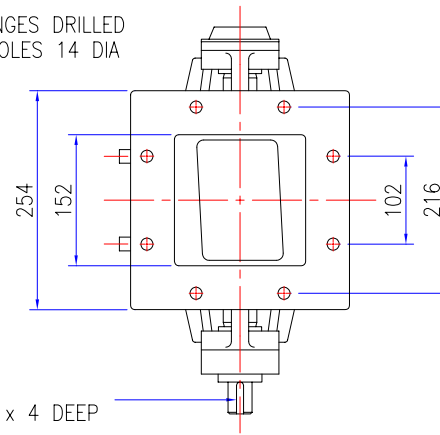
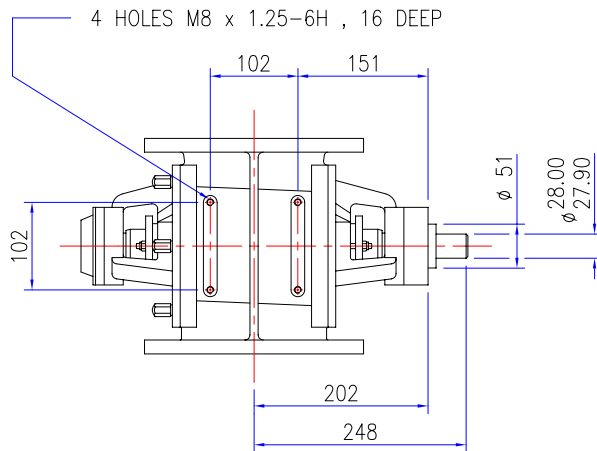


FLANGES DRILLED
8 HOLES 14 DIA



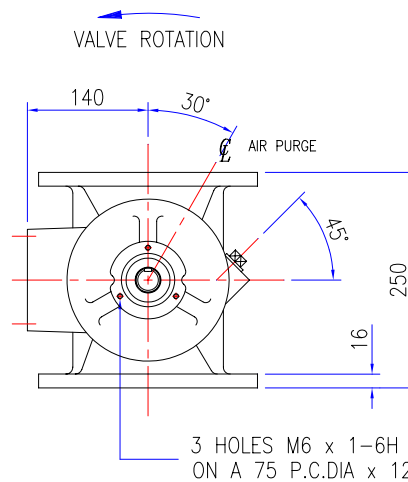
KEYWAY
8 WIDE x 4 DEEP

OPTIONS	INCLUDED	
VENT PORT	3/4" BSP	3/4" NPT
AIR PURGE (2)	1/4" BSP	1/4" NPT
POCKET PURGE (2)	1/4" BSP	1/4" NPT
APPROX VALVE WEIGHT		
CI+ST STL 50Kg : AL ALLOY 30Kg		
ORDER No.		
JOB No. J		
CERTIFIED		

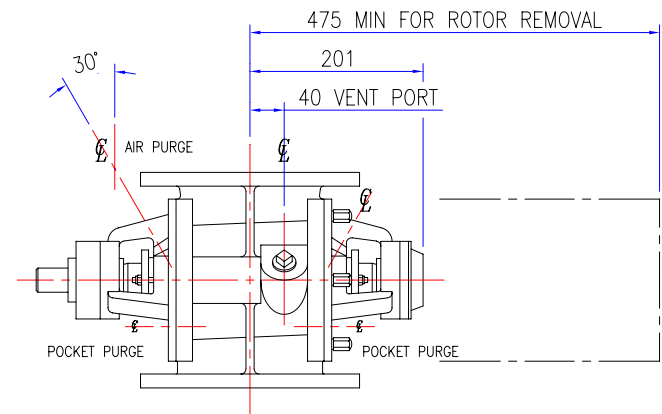


4 HOLES M8 x 1.25-6H , 16 DEEP

VALVE ROTATION



3 HOLES M6 x 1-6H EQUISPACED
ON A 75 P.C.DIA x 12 DEEP



A	ORIGINAL
	REVISIONS

TOLERANCES	UP TO VALVE SIZE	VALVE SIZE & OVER
FACE-FACE	250 ±1.5	300 ±3
FLANGE THK.	450 ±3	500 ±5
PIPE O/D	100 ±1.5	115 ±2
OTHER	450 ±6	500 ±8

PROJECTION	
SCALE :	1:3 (A1)
DIMENSIONS IN mm	
©ROTA VAL	

ROTAVAL

CHIPPENHAM WILTS

DRN	CHKD	APPD	DATE
J.PORTER	SC	D.C.S	14-09-01

TITLE		SHEET ISSUE	
SQUARE FLANGE HDR150 BARESHAFT PLANNING IN DIMENSIONS		1 A	
JOB No.	DRG No.	SQF-HDR150-BS	