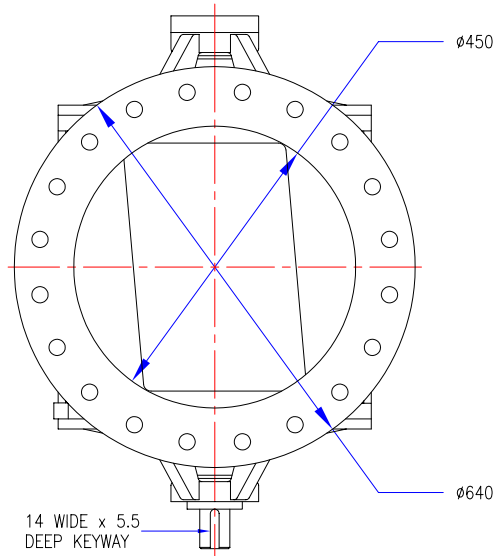


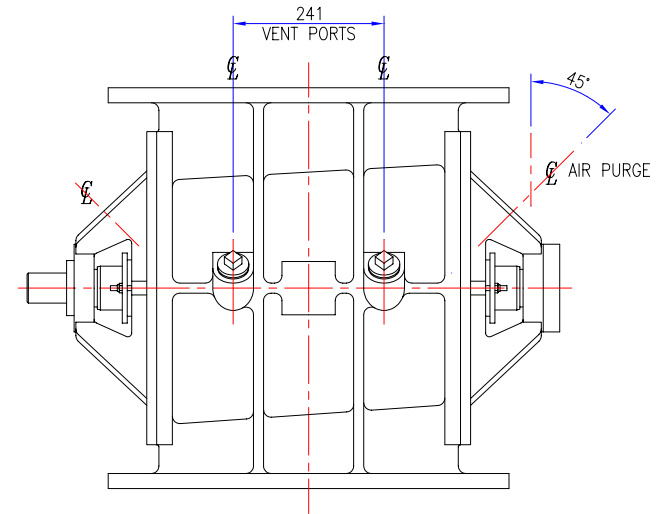
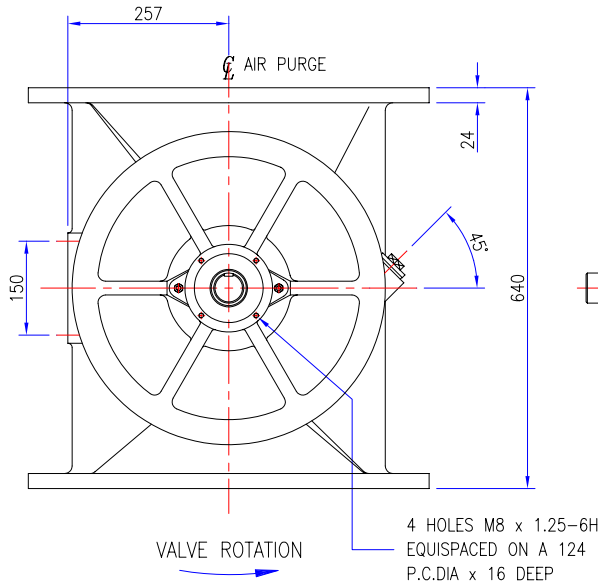
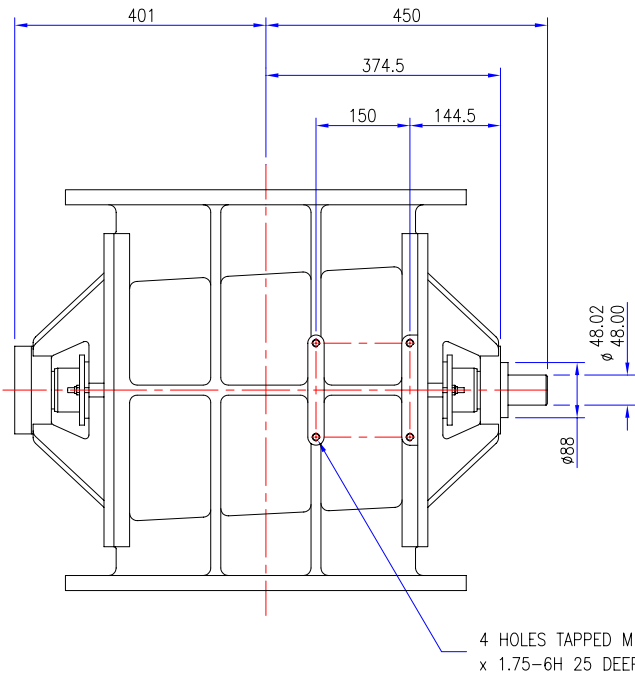
FLANGE DRILLING OPTIONS:-

BS4504 PN10 (DIN 2501)
20 HOLES 26 DIA
EQUI-SP ON 565 PCD OFFCENTRE

ANSI B16.5-150FF
16 HOLES 31.7 DIA
EQUI-SP ON 578 PCD OFFCENTRE



OPTIONS	INCLUDED	
VENT PORTS (2)	1.5" BSP	1.5" NPT
AIR PURGE (2)	1/4" BSP	1/4" NPT
FLANGE DRILLING	BS4504	ANSI
APPROX VALVE WEIGHT		
CI+ST STL 460Kg : AL ALLOY 325Kg		
ORDER No.		
JOB No. J		
CERTIFIED		



A	ORIGINAL
	REVISIONS

TOLERANCES	UP TO VALVE SIZE	VALVE SIZE & OVER
FACE-FACE	250 ±1.5	300 ±3
FLANGE THK.	450 ±3	500 ±5
PIPE O/D	100 ±1.5	115 ±2
OTHER	450 ±6	500 ±8

PROJECTION
SCALE : 1:4 (A1)
DIMENSIONS IN mm
©ROTA VAL

ROTAVAL
CHIPPENHAM WILTS

DRN	CHKD	APPD	DATE
J.PORTER	SC	D.C.S	14-06-02

TITLE	JOB No.	DRG No.	SHEET/ISSUE
ROUND FLANGE HD450 BARESHAFT PLANNING IN DIMENSIONS		RDF-HD450-BS	1 / A