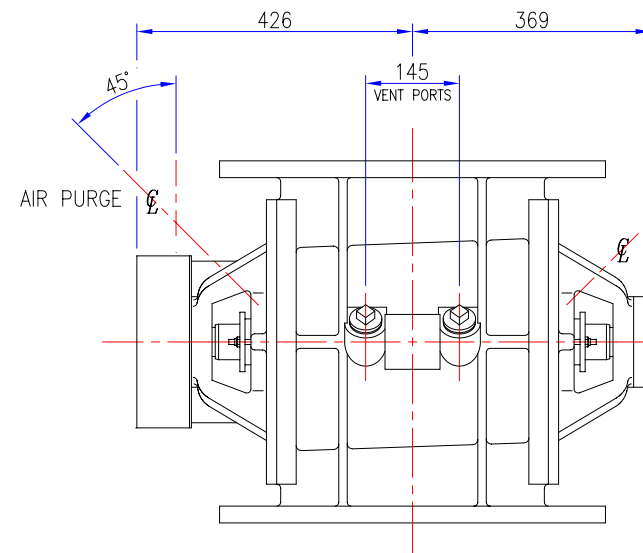
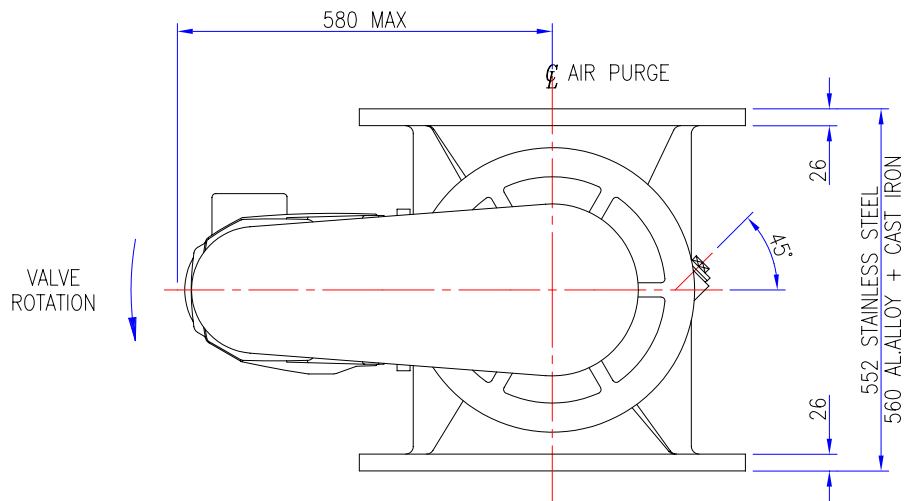


OPTIONS		INCLUDED	
VENT PORTS (2)	1.5" BSP	1.5" NPT	
AIR PURGE (2)	1/4" BSP	1/4" NPT	
GMU	kW		
APPROX VALVE WEIGHT			
CI+ST STL 380Kg : AL ALLOY 295Kg			
ORDER No.			
JOB No. J			
CERTIFIED			



TOLERANCES	UP TO VALVE SIZE	VALVE SIZE & OVER
FACE-FACE	250 ±1.5	300 ±3
FLANGE THK.	450 ±3	500 ±5
PIPE O/D	100 ±1.5	115 ±2
OTHER	450 ±6	500 ±8

PROJECTION
SCALE : 1:4 (A1)
DIMENSIONS IN mm
©ROTA VAL

**ROTAVAL**

CHIPPENHAM WILTS

DRN	CHKD	APPD	DATE
J.PORTER	SC	D.C.S	13-06-02

TITLE  
SQUARE FLANGE HD400  
WITH DRIVE PLANNING IN DIMENSIONS

JOB No.	DRG No.	SHEET/ISSUE
	SQF-HD400-WD	1 A