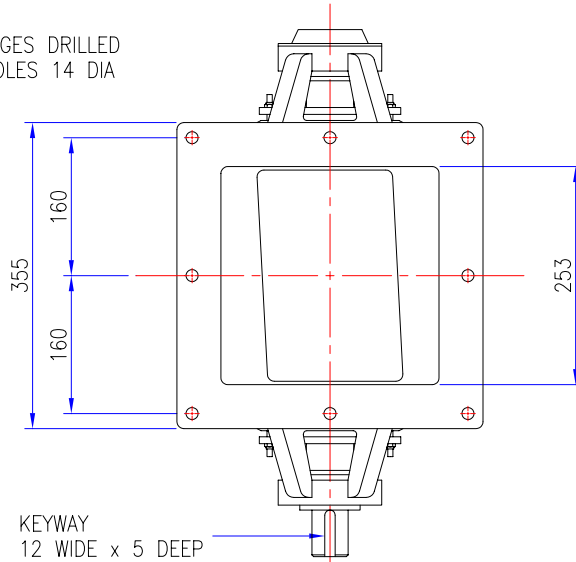
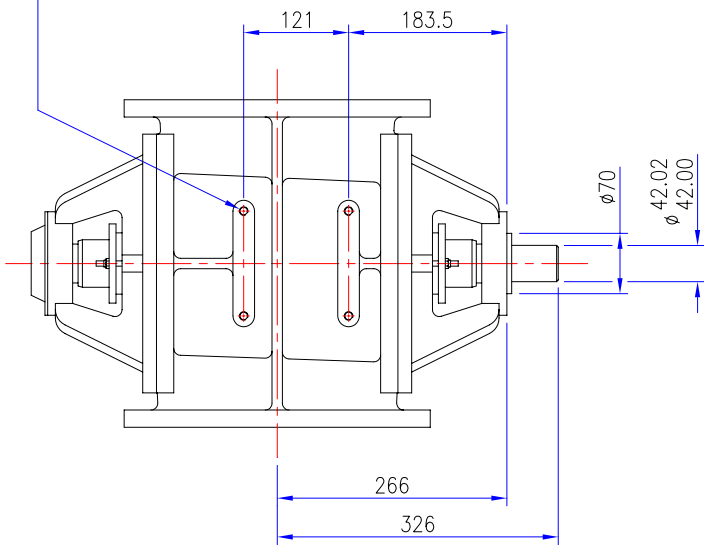


FLANGES DRILLED
8 HOLES 14 DIA

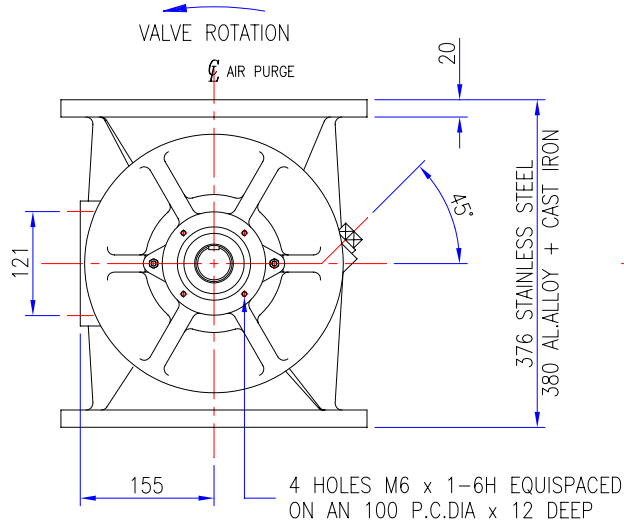


KEYWAY
12 WIDE x 5 DEEP

4 HOLES M10 x 1.5-6H 19 DEEP

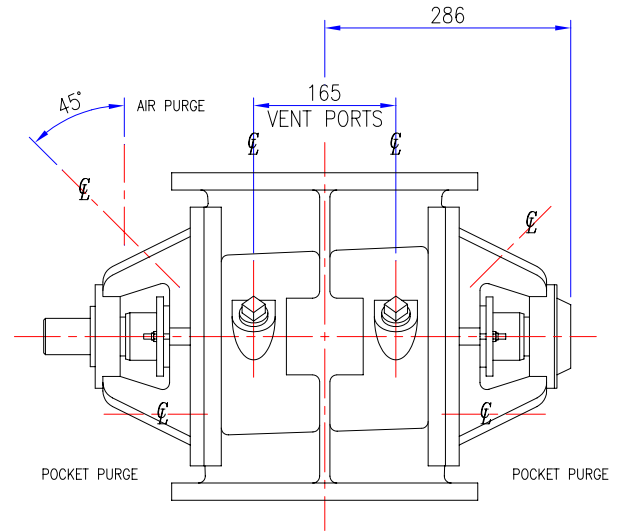


VALVE ROTATION



4 HOLES M6 x 1-6H EQUISPACED
ON AN 100 P.C.DIA x 12 DEEP

OPTIONS	INCLUDED	
VENT PORTS (2)	1" BSP	1" NPT
AIR PURGE (2)	1/4" BSP	1/4" NPT
POCKET PURGE (2)	1/4" BSP	1/4" NPT
APPROX VALVE WEIGHT		
CI+ST STL 105Kg : AL ALLOY 75Kg		
ORDER No.		
JOB No. J		
CERTIFIED		



A	ORIGINAL
	REVISIONS

TOLERANCES	UP TO VALVE SIZE	VALVE SIZE & OVER
FACE-FACE	250 ±1.5	300 ±3
FLANGE THK.	450 ±3	500 ±5
PIPE O/D	100 ±1.5	115 ±2
OTHER	450 ±6	500 ±8

PROJECTION	
SCALE : 1:3 (A1)	
DIMENSIONS IN mm	

ROTAVAL			
CHIPPENHAM WILTS			
DRN	CHKD	APPD	DATE
J.PORTER	SC	D.C.S	12-11-01

TITLE		SQUARE FLANGE HD250 BARESHAFT PLANNING IN DIMENSIONS	
JOB No.	DRG No.	SQF-HD250-BS	SHEET ISSUE
			1 A