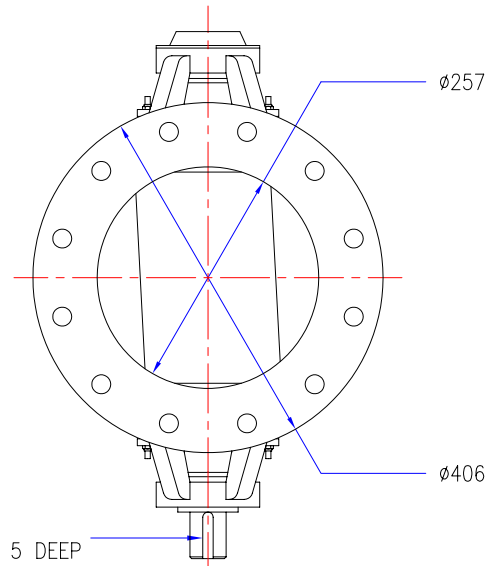


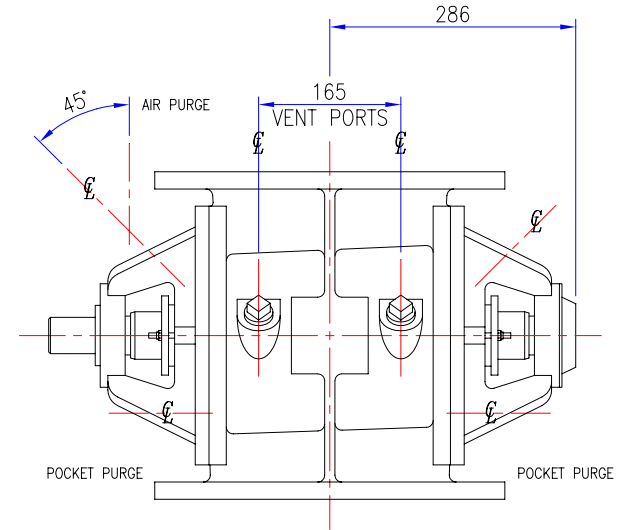
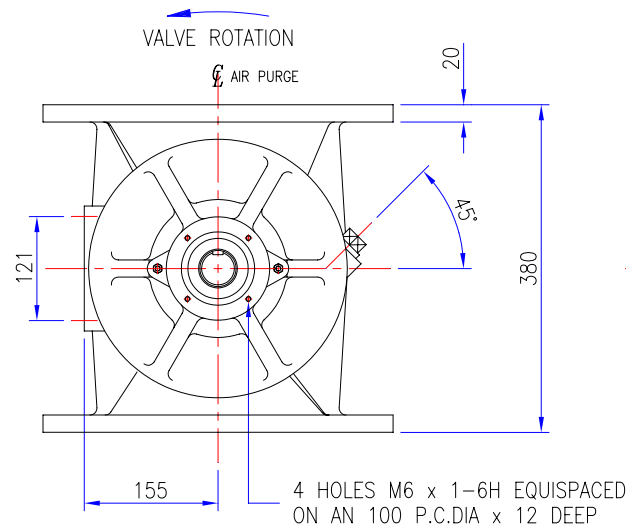
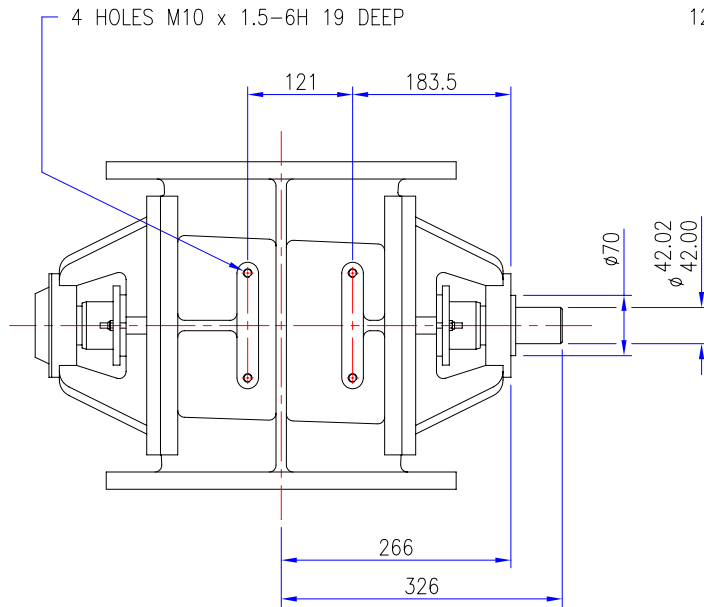
FLANGE DRILLING OPTIONS:-

BS4504 PN10 (DIN 2501)
12 HOLES 22 DIA
EQUI-SP ON 350 PCD OFFCENTRE

ANSI B16.5-150FF
12 HOLES 25.4 DIA
EQUI-SP ON 362 PCD OFFCENTRE



OPTIONS	INCLUDED		
VENT PORTS (2)	1" BSP		1" NPT
AIR PURGE (2)	1/4" BSP		1/4" NPT
POCKET PURGE (2)	1/4" BSP		1/4" NPT
FLANGE DRILLING	BS4504		ANSI
APPROX VALVE WEIGHT			
CI+ST STL 105Kg : AL ALLOY 75Kg			
ORDER No.			
JOB No. J			
CERTIFIED			



A	ORIGINAL
	REVISIONS

TOLERANCES	UP TO VALVE SIZE	VALVE SIZE & OVER
FACE-FACE	250 ±1.5	300 ±3
FLANGE THK.	450 ±3	500 ±5
PIPE O/D	100 ±1.5	115 ±2
OTHER	450 ±6	500 ±8

PROJECTION	
SCALE :	1:3 (A1)
DIMENSIONS IN mm	
©ROTA VAL	

ROTAVAL			
CHIPPENHAM WILTS			
DRN	CHKD	APPD	DATE
J.PORTER	SC	D.C.S	12-11-01

TITLE		ROUND FLANGE HD250 BARESHAFT PLANNING IN DIMENSIONS	
JOB No.	DRG No.	SHEET ISSUE	
	RDF-HD250-BS	1	A