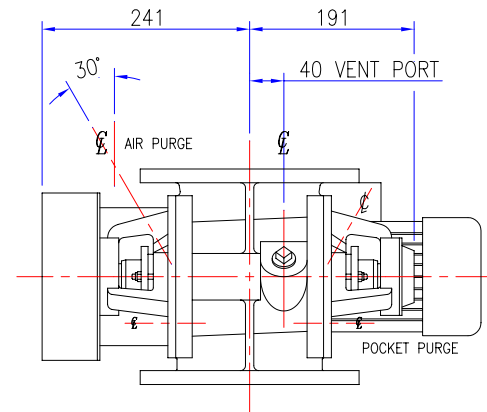
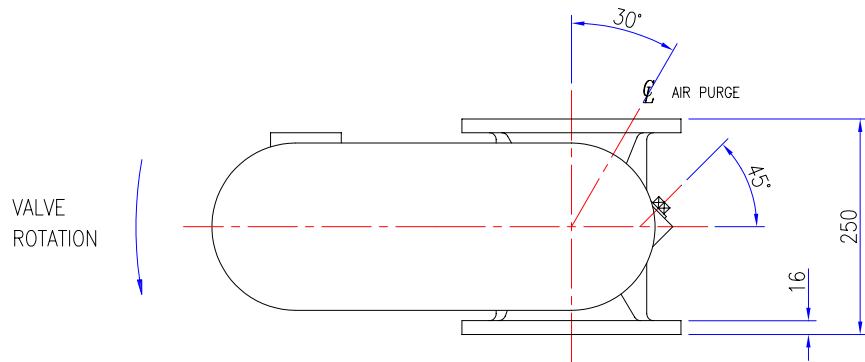


OPTIONS		INCLUDED	
VENT PORT	3/4" BSP	3/4" NPT	
AIR PURGE (2)	1/4" BSP	1/4" NPT	
POCKET PURGE (2)	1/4" BSP	1/4" NPT	
GMU	kW		
APPROX VALVE WEIGHT			
CI+ST STL 75Kg : AL ALLOY 55Kg			
ORDER No.			
JOB No. J			
CERTIFIED			



A	ORIGINAL
	REVISIONS

TOLERANCES	UP TO VALVE SIZE	VALVE SIZE & OVER
FACE-FACE	250 ±1.5	300 ±3
FLANGE THK.	450 ±3	500 ±5
PIPE O/D	100 ±1.5	115 ±2
OTHER	450 ±6	500 ±8

PROJECTION	
SCALE : 1:3 (A1)	
DIMENSIONS IN mm	

ROTAVAL			
CHIPPENHAM WILTS			
DRN	CHKD	APPD	DATE
J.PORTER	SC	D.C.S	14-09-01

TITLE		SQUARE FLANGE HD150 WITH DRIVE PLANNING IN DIMENSIONS	
JOB No.	DRG No.	SHEET/ISSUE	
	SQF-HD150-WD	1	A