

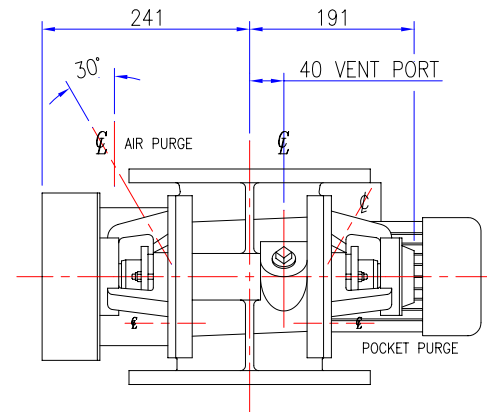
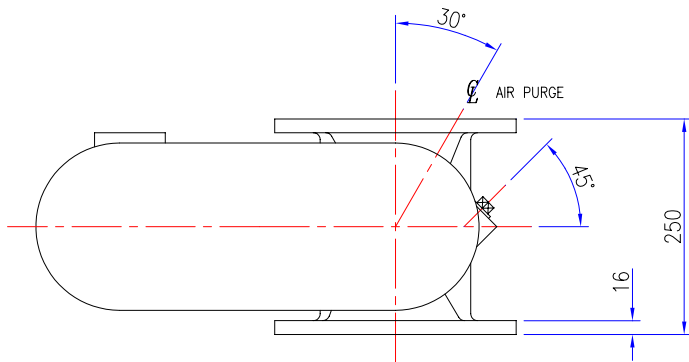
FLANGE DRILLING OPTIONS:-

BS4504 PN10 (DIN 2501)
8 HOLES 22 DIA
EQUI-SP ON 240 PCD OFFCENTRE

ANSI B16.5-150FF
8 HOLES 22 DIA
EQUI-SP ON 241.3 PCD OFFCENTRE

OPTIONS		INCLUDED	
VENT PORT	3/4" BSP	3/4" NPT	
AIR PURGE (2)	1/4" BSP	1/4" NPT	
POCKET PURGE (2)	1/4" BSP	1/4" NPT	
FLANGE DRILLING	BS4504	ANSI	
GMU	kW		
APPROX VALVE WEIGHT			
CI+ST STL 75Kg : AL ALLOY 55Kg			
ORDER No.			
JOB No. J			
CERTIFIED			

VALVE ROTATION



A	ORIGINAL
	REVISIONS

TOLERANCES	UP TO VALVE SIZE	VALVE SIZE & OVER
FACE-FACE	250 ±1.5	300 ±3
FLANGE THK.	450 ±3	500 ±5
PIPE O/D	100 ±1.5	115 ±2
OTHER	450 ±6	500 ±8

PROJECTION	
SCALE :	1:3 (A1)
DIMENSIONS IN mm	
©ROTA VAL	

ROTAVAL
CHIPPENHAM WILTS

DRN	CHKD	APPD	DATE
J.PORTER	SC	D.C.S	14-09-01

TITLE		ROUND FLANGE HD150 WITH DRIVE PLANNING IN DIMENSIONS	
JOB No.	DRG No.	SHEET	ISSUE
	RDF-HD150-WD	1	A