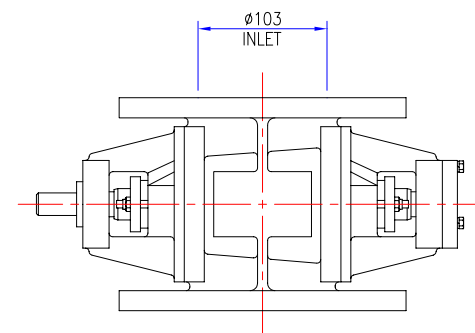
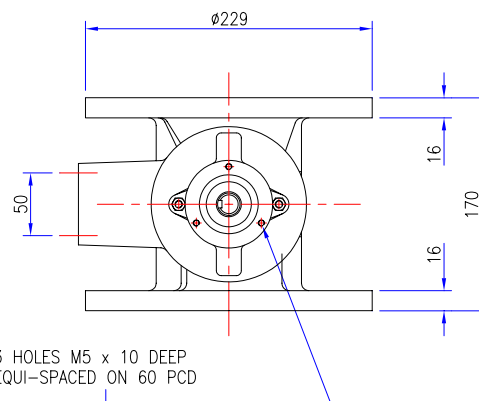
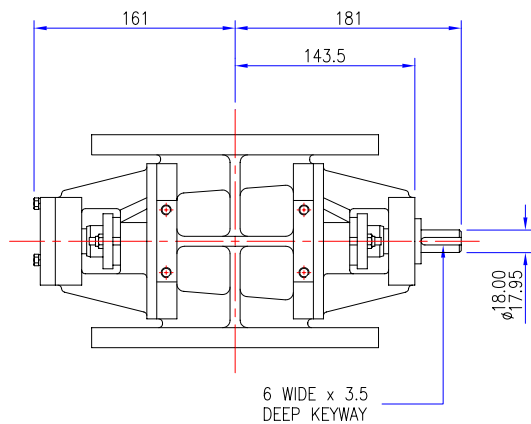


VALVE ROTATION



FLANGE DRILLING OPTIONS:-

- BS4504 PN10 (DIN 2501)
- 8 HOLES 18 DIA
- EQUI-SP ON 185 PCD OFFCENTRE
- ANSI B16.5-150FF
- 4 HOLES 19 DIA
- EQUI-SP ON 190.5 PCD OFFCENTRE

OPTIONS	INCLUDED	
AIR PURGE (2)	1/8"BSP	1/8"NPT
FLANGE DRILLING	BS4504	ANSI
APPROX VALVE WEIGHT		
CI+ST STL 30Kg : AL ALLOY 22Kg		
ORDER No.		
JOB No. J		
CERTIFIED		

A	ORIGINAL
	REVISIONS

TOLERANCES	UP TO VALVE SIZE	VALVE SIZE & OVER
FACE-FACE	250 ±1.5	300 ±3
FLANGE THK.	450 ±3	500 ±5
PIPE O/D	100 ±1.5	115 ±2
OTHER	450 ±6	500 ±8

PROJECTION	
SCALE :	1:2 (A1)
DIMENSIONS IN mm	
©ROTA VAL	

ROTAVAL
CHIPPENHAM WILTS

DRN	CHKD	APPD	DATE
J.PORTER	SC	D.C.S	04-07-02

TITLE		ROUND FLANGE HD100 BARESHAFT PLANNING IN DIMENSIONS	
JOB No.	DRG No.	SHEET	ISSUE
	RDF-HD100-BS	1	A