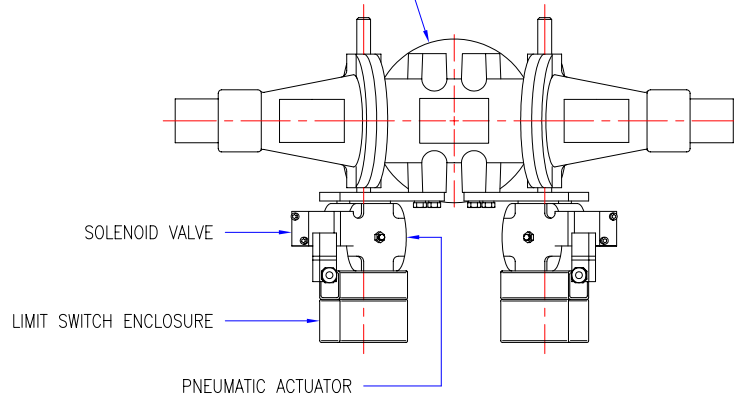
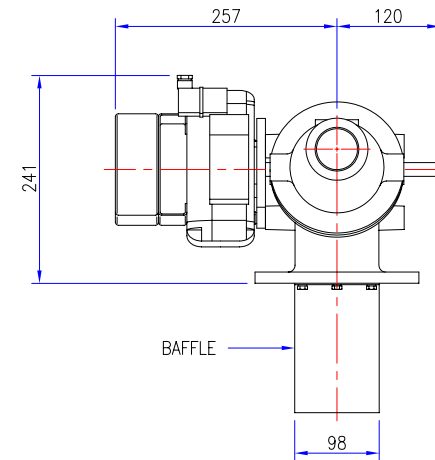
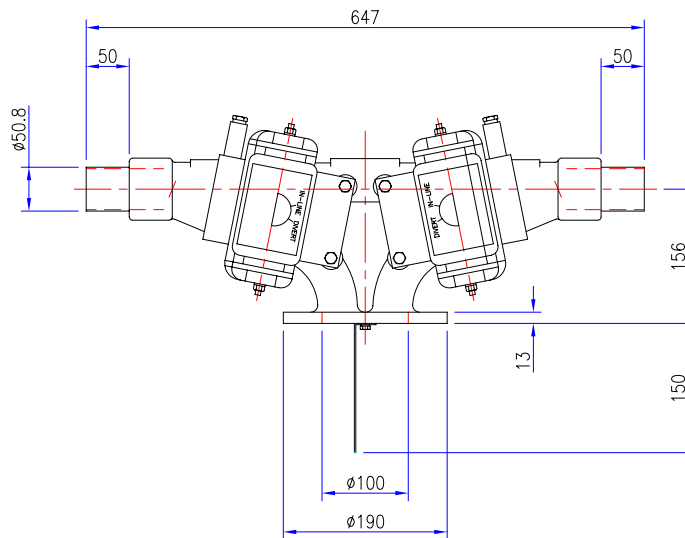


FLANGE DRILLING
8 HOLES 9.5 DIA EQUI-SPACED
OFF CENTRE ON A 160 P.C.DIA



APPROX VALVE WEIGHT	
CI+ST STL 46Kg : AL ALLOY 20Kg	
ORDER No.	
JOB No.	J
CERTIFIED	



A	ORIGINAL
	REVISIONS

TOLERANCES	UP TO VALVE SIZE	VALVE SIZE & OVER
FACE-FACE	250 ±1.5	300 ±3
FLANGE THK.	450 ±3	500 ±5
PIPE O/D	100 ±1.5	115 ±2
OTHER	450 ±6	500 ±8

PROJECTION	
SCALE :	1:3 (A1)
DIMENSIONS IN mm	
©ROTA VAL	

ROTAVAL

CHIPPENHAM WILTS

DRN	CHKD	APPD	DATE
J.PORTER	SC	D.C.S	28-10-02

TITLE		FVPA50 FILL-VENT VALVE PLANNING IN DIMENSIONS		
JOB No.	DRG No.	SHEET ISSUE		
	FVPA-050	1	A	