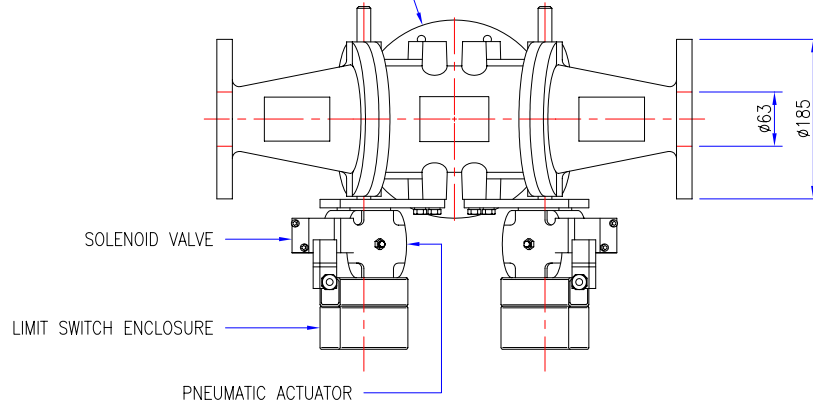


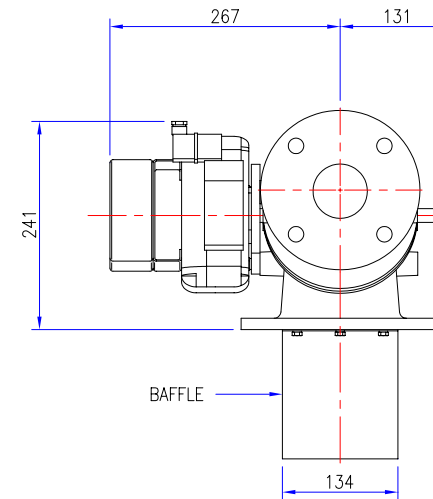
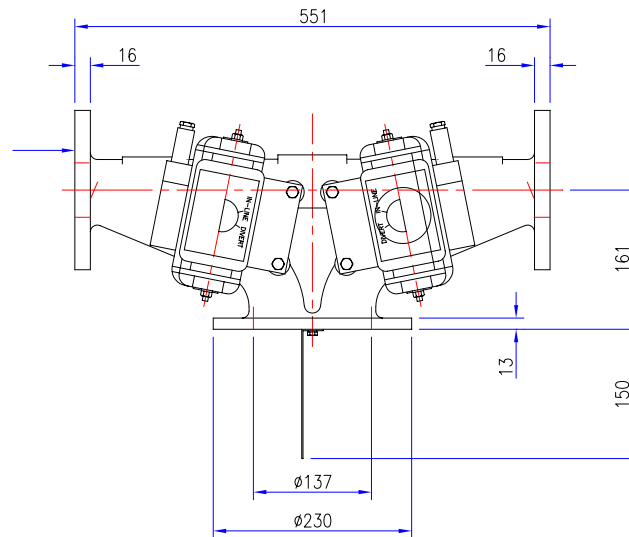
FLANGE DRILLING
8 HOLES 9.5 DIA EQUI-SPACED
OFF CENTRE ON A 200 P.C.DIA



OPTIONS	INCLUDED		
FLANGE DRILLING	BS4504	ANSI	
APPROX VALVE WEIGHT			
CI+ST STL 52Kg : AL ALLOY 25Kg			
ORDER No.			
JOB No. J			
CERTIFIED			

FLANGE DRILLING OPTIONS :-

BS4504 PN10 (DIN 2501)
4 HOLES 18 DIA
EQUI-SP ON 145 PCD OFFCENTRE
ANSI B16.5-150FF
4 HOLES 19 DIA
EQUI-SP ON 139.7 PCD OFFCENTRE



A	ORIGINAL
	REVISIONS

TOLERANCES	UP TO VALVE SIZE	VALVE SIZE & OVER
FACE-FACE	250 ± 1.5	300 ± 3
FLANGE THK.	450 ± 3	500 ± 5
PIPE O/D	100 ± 1.5	115 ± 2
OTHER	450 ± 6	500 ± 8

PROJECTION	
SCALE :	1:3
DIMENSIONS IN mm	
©ROTA VAL	

ROTAVAL

CHIPPENHAM WILTS

DRN	CHKD	APPD	DATE
J.PORTER	SC	D.C.S	24-10-02

TITLE		FVFA65 FILL-VENT VALVE PLANNING IN DIMENSIONS		
JOB No.		DRG No.		SHEET/ISSUE
		FVFA-065		1 / A