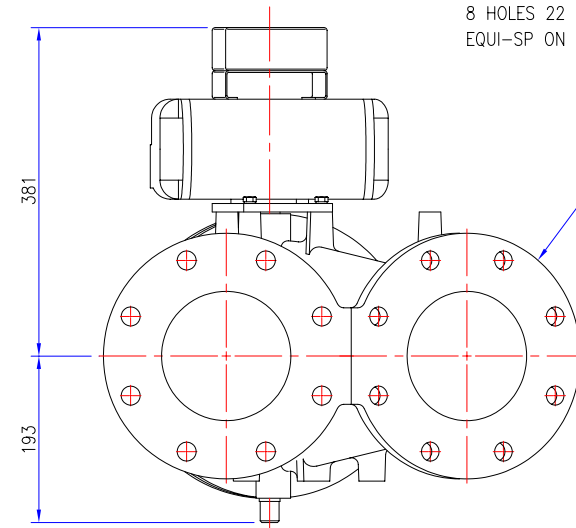
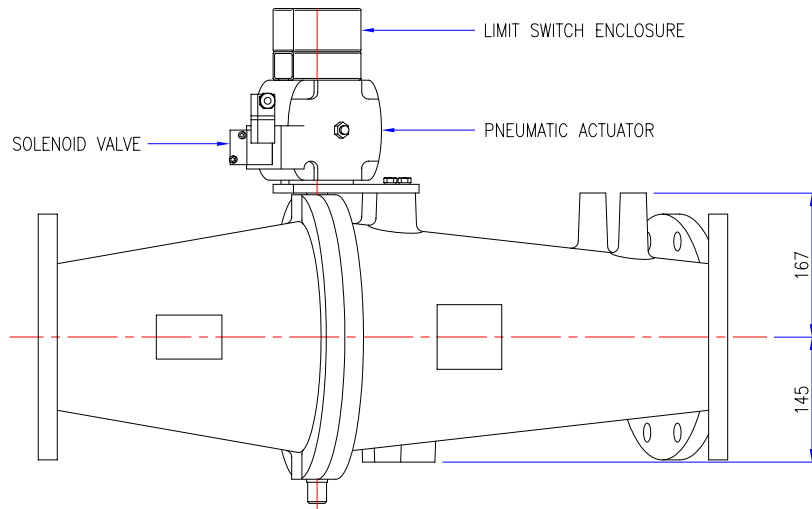


| OPTIONS | INCLUDED | | |
|---------------------------------|----------|------|--|
| FLANGE DRILLING | BS4504 | ANSI | |
| APPROX VALVE WEIGHT | | | |
| CI+ST STL 110Kg : AL ALLOY 50Kg | | | |
| ORDER No. | | | |
| JOB No. J | | | |
| CERTIFIED | | | |

FLANGE DRILLING OPTIONS :-

BS4504 PN10 (DIN 2501)
8 HOLES 22 DIA
EQUI-SP ON 240 PCD OFFCENTRE

ANSI B16.5-150FF
8 HOLES 22 DIA
EQUI-SP ON 241.3 PCD OFFCENTRE



| | |
|---|-----------|
| A | ORIGINAL |
| | REVISIONS |

| TOLERANCES | UP TO VALVE SIZE | VALVE SIZE & OVER |
|-------------|------------------|-------------------|
| FACE-FACE | 250 ±1.5 | 300 ±3 |
| FLANGE THK. | 450 ±3 | 500 ±5 |
| PIPE O/D | 100 ±1.5 | 115 ±2 |
| OTHER | 450 ±6 | 500 ±8 |

| | |
|------------------|----------|
| PROJECTION | |
| SCALE : | 1:3 (A1) |
| DIMENSIONS IN mm | |
| ©ROTA VAL | |

ROTAVAL
CHIPPENHAM WILTS

| | | | |
|----------|------|------|----------|
| DRN | CHKD | APPD | DATE |
| J.PORTER | SC | | 04-10-02 |

| | | | | | | | |
|---------|--|--------------|--|---|--|-------|--|
| TITLE | | | | FDFA150 DIVERTER VALVE LEFT HAND DIVERT PLANNING IN DIMENSIONS | | | |
| JOB No. | | DRG No. | | SHEET | | ISSUE | |
| | | FDFA-150-LHD | | 1 | | A | |