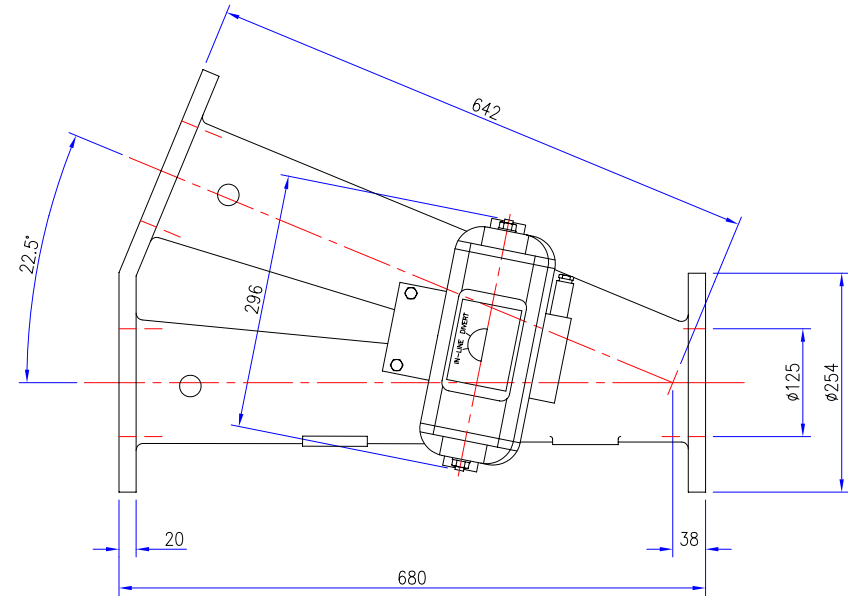
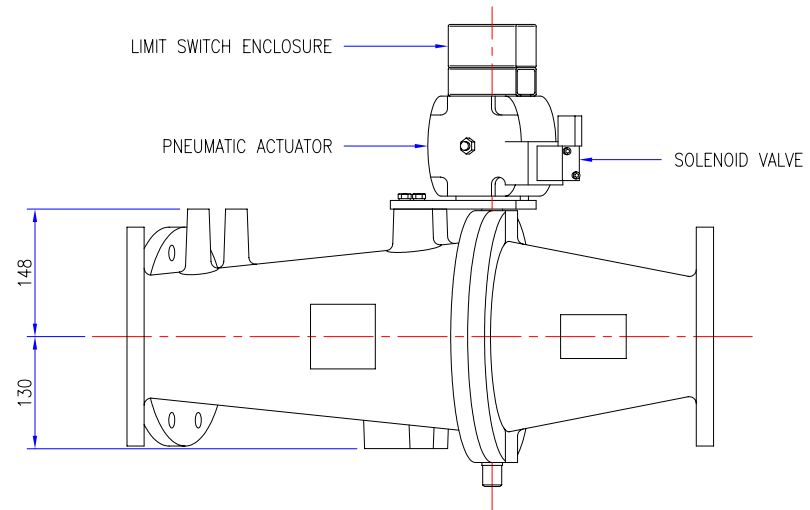
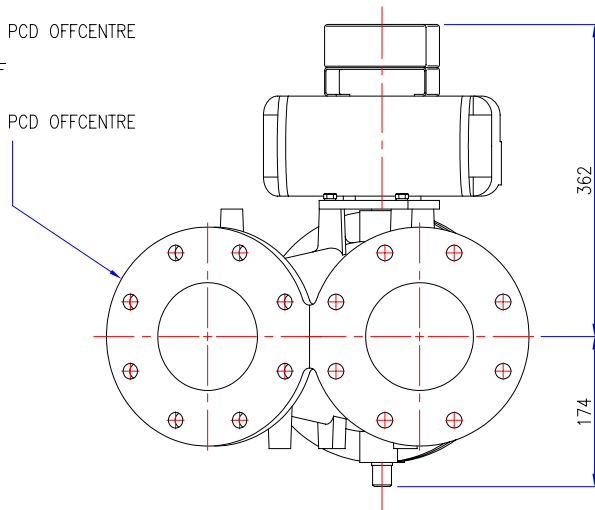


OPTIONS	INCLUDED		
FLANGE DRILLING	BS4504		ANSI
APPROX VALVE WEIGHT			
CI+ST STL 78Kg : AL ALLOY 35Kg			
ORDER No.			
JOB No. J			
CERTIFIED			



FLANGE DRILLING OPTIONS :-

- BS4504 PN10 (DIN 2501)
- 8 HOLES 18 DIA
- EQUI-SP ON 210 PCD OFFCENTRE
- ANSI B16.5-150FF
- 8 HOLES 19 DIA
- EQUI-SP ON 216 PCD OFFCENTRE



A	ORIGINAL
	REVISIONS

TOLERANCES	UP TO VALVE SIZE	VALVE SIZE & OVER
FACE-FACE	250 ±1.5	300 ±3
FLANGE THK.	450 ±3	500 ±5
PIPE O/D	100 ±1.5	115 ±2
OTHER	450 ±6	500 ±8

PROJECTION	
SCALE :	1:3 (A1)
DIMENSIONS IN mm	
©ROTA VAL	

**ROTAVAL**  
CHIPPENHAM WILTS

DRN	CHKD	APPD	DATE
J.PORTER	SC		04-10-02

TITLE		FDFA125 DIVERTER VALVE RIGHT HAND DIVERT PLANNING IN DIMENSIONS		
JOB No.	DRG No.	SHEET/ISSUE		
	FDFA-125-RHD	1	A	