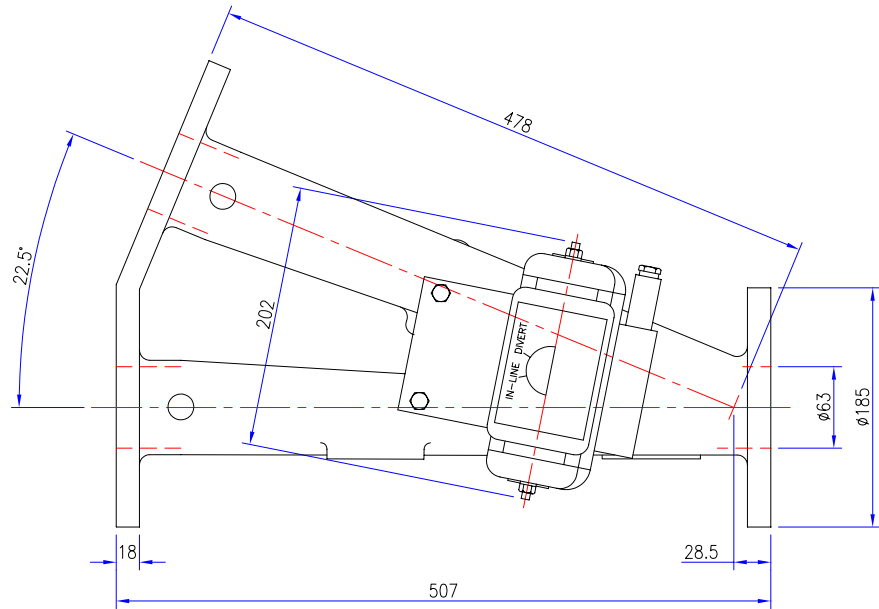


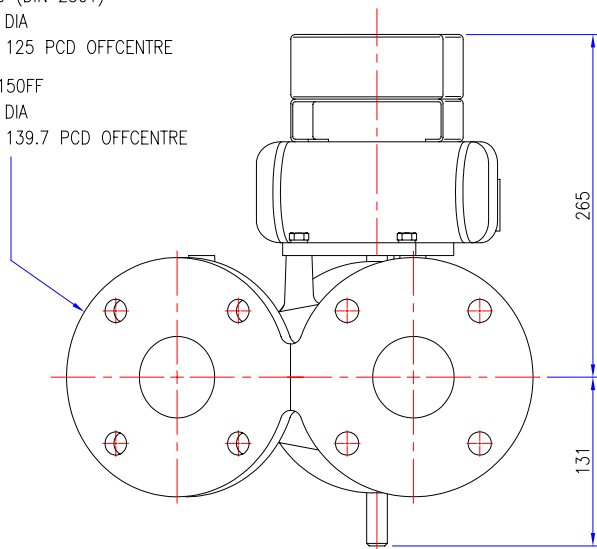
OPTIONS	INCLUDED		
FLANGE DRILLING	BS4504		ANSI
APPROX VALVE WEIGHT			
CH+ST STL 32Kg : AL ALLOY 16Kg			
ORDER No.			
JOB No. J			
CERTIFIED			



FLANGE DRILLING OPTIONS :-

BS4504 PN10 (DIN 2501)
4 HOLES 18 DIA
EQUI-SP ON 125 PCD OFFCENTRE

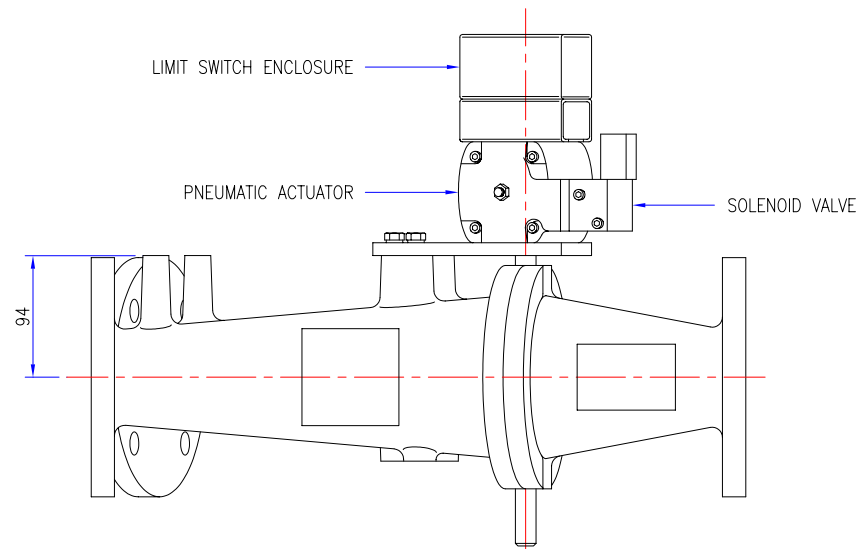
ANSI B16.5-150FF
4 HOLES 19 DIA
EQUI-SP ON 139.7 PCD OFFCENTRE



LIMIT SWITCH ENCLOSURE

PNEUMATIC ACTUATOR

SOLENOID VALVE



A	ORIGINAL
	REVISIONS

TOLERANCES	UP TO VALVE SIZE	VALVE SIZE & OVER
FACE-FACE	250 ±1.5	300 ±3
FLANGE THK.	450 ±3	500 ±5
PIPE O/D	100 ±1.5	115 ±2
OTHER	450 ±6	500 ±8

PROJECTION	
SCALE :	1:2 (A1)
DIMENSIONS IN mm	
©ROTA VAL	

ROTAVAL
CHIPPENHAM WILTS

DRN	CHKD	APPD	DATE
J.PORTER	SC	D.C.S	20-09-02

TITLE		FDFA65 DIVERTER VALVE RIGHT HAND DIVERT PLANNING IN DIMENSIONS	
JOB No.	DRG No.	SHEET/ISSUE	
	FDFA-065-RHD	1	A