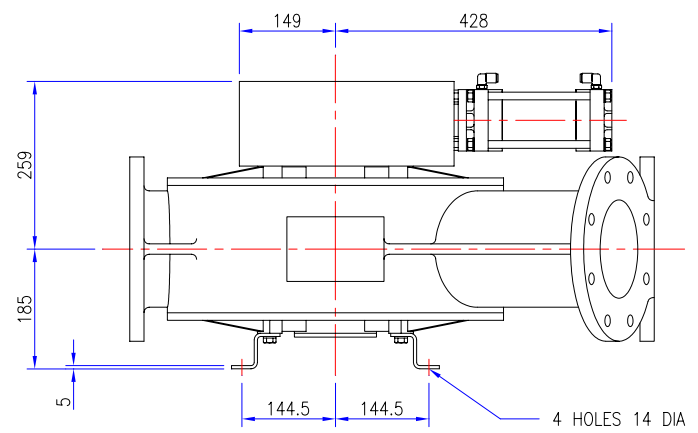
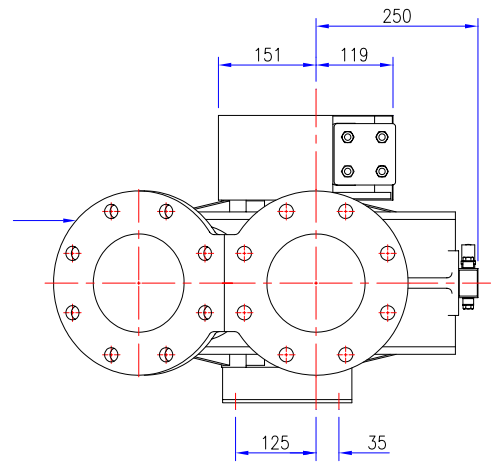


OPTIONS	INCLUDED		
FLANGE DRILLING	BS4504		ANSI
APPROX VALVE WEIGHT			
CI+ST STL 190Kg : AL ALLOY 155Kg			
ORDER No.			
JOB No. J			
CERTIFIED			



FLANGE DRILLING OPTIONS :-
 BS4504 PN10 (DIN 2501)
 8 HOLES 22 DIA
 EQUI-SP ON 240 PCD OFFCENTRE
 ANSI B16.5-150FF
 8 HOLES 22 DIA
 EQUI-SP ON 241.3 PCD OFFCENTRE



A	ORIGINAL
	REVISIONS

TOLERANCES	UP TO VALVE SIZE	VALVE SIZE & OVER
FACE-FACE	250 ±1.5	300 ±3
FLANGE THK.	450 ±3	500 ±5
PIPE O/D	100 ±1.5	115 ±2
OTHER	450 ±6	500 ±8

PROJECTION	
SCALE :	1:4 (A1)
DIMENSIONS IN mm	

ROTAVAL			
CHIPPENHAM WILTS			
DRN	CHKD	APPD	DATE
J.PORTER	SC	D.C.S	12-11-02

TITLE				CP150 PLUG DIVERTER VALVE RIGHT HAND DIVERT PLANNING IN DIMENSIONS			
JOB No.			DRG No.			SHEET/ISSUE	
			CP-150-RHD			1 A	