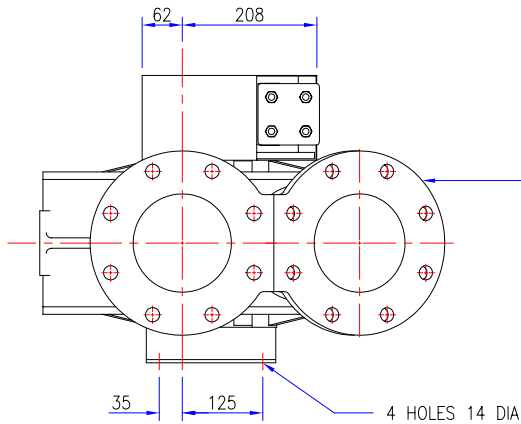
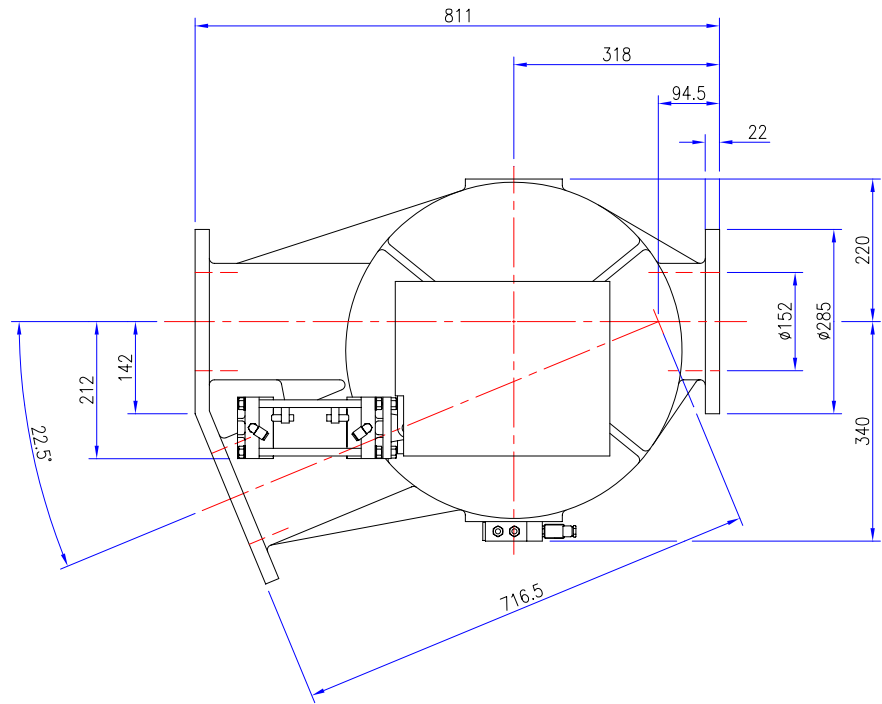


OPTIONS	INCLUDED		
FLANGE DRILLING	BS4504	ANSI	
APPROX VALVE WEIGHT			
CI+ST STL 190Kg : AL ALLOY 155Kg			
ORDER No.			
JOB No. J			
CERTIFIED			

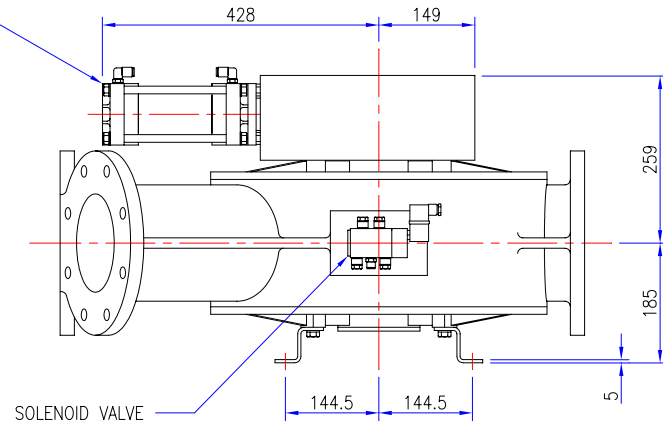


PNEUMATIC CYLINDER
C/W REED SWITCHES

FLANGE DRILLING OPTIONS :-

BS4504 PN10 (DIN 2501)
8 HOLES 22 DIA
EQUI-SP ON 240 PCD OFFCENTRE

ANSI B16.5-150FF
8 HOLES 22 DIA
EQUI-SP ON 241.3 PCD OFFCENTRE



A	ORIGINAL
	REVISIONS

TOLERANCES	UP TO VALVE SIZE	VALVE SIZE & OVER
FACE-FACE	250 ±1.5	300 ±3
FLANGE THK.	450 ±3	500 ±5
PIPE O/D	100 ±1.5	115 ±2
OTHER	450 ±6	500 ±8

PROJECTION	
SCALE :	1:4 (A1)
DIMENSIONS IN mm	

ROTAVAL
CHIPPENHAM WILTS

TITLE		CP150 PLUG DIVERTER VALVE LEFT HAND DIVERT PLANNING IN DIMENSIONS		
DRN	CHKD	APPD	DATE	JOB No.
J.PORTER	SC	D.C.S	12-11-02	
DRG No.				SHEET/ISSUE
CP-150-LHD				1 / A