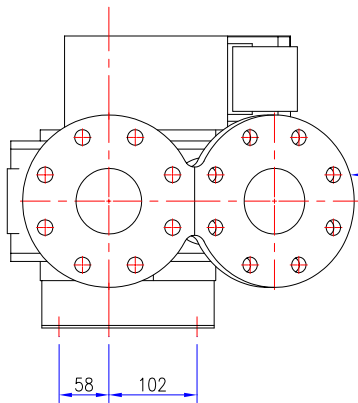
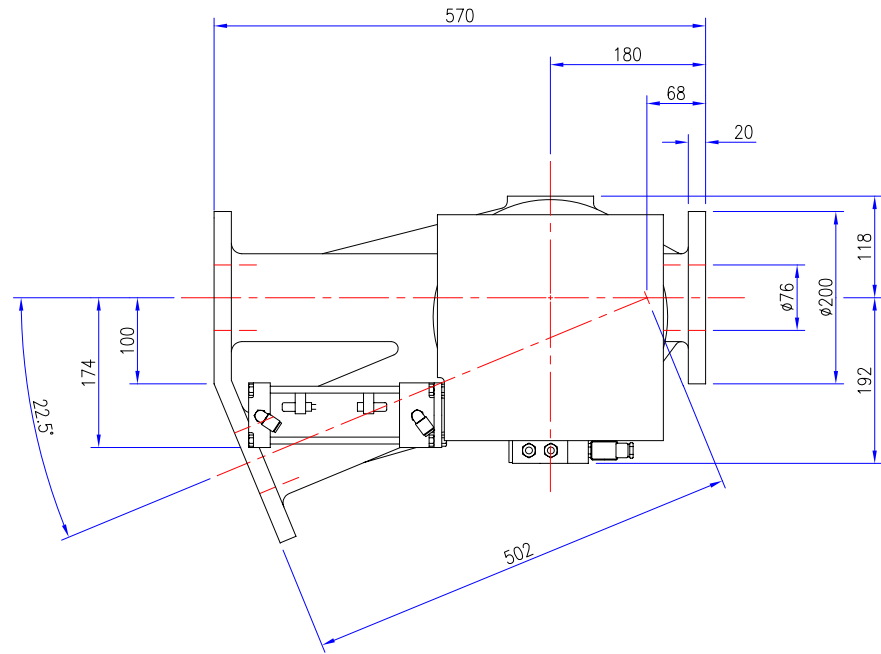


OPTIONS		INCLUDED	
FLANGE DRILLING	BS4504	ANSI	
APPROX VALVE WEIGHT			
CI+ST STL 72Kg : AL ALLOY 36Kg			
ORDER No.			
JOB No. J			
CERTIFIED			

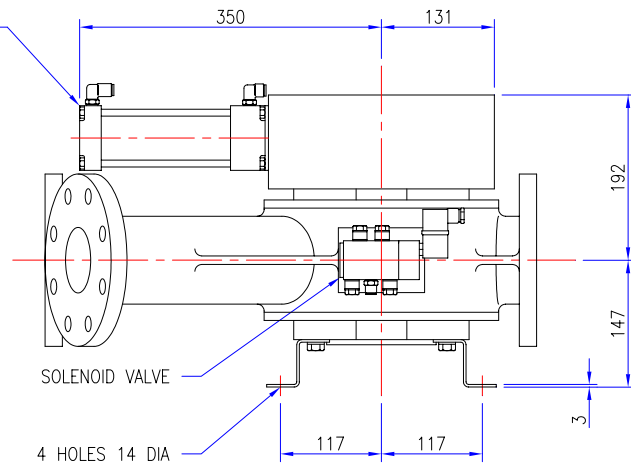


FLANGE DRILLING OPTIONS :-

BS4504 PN10 (DIN 2501)
8 HOLES 18 DIA
EQUI-SP ON 160 PCD OFFCENTRE

ANSI B16.5-150FF
4 HOLES 19 DIA
EQUI-SP ON 152.4 PCD OFFCENTRE

PNEUMATIC CYLINDER
C/W REED SWITCHES



SOLENOID VALVE

4 HOLES 14 DIA

A	ORIGINAL
	REVISIONS

TOLERANCES	UP TO VALVE SIZE	VALVE SIZE & OVER
FACE-FACE	250 ±1.5	300 ±3
FLANGE THK.	450 ±3	500 ±5
PIPE O/D	100 ±1.5	115 ±2
OTHER	450 ±6	500 ±8

PROJECTION	
SCALE :	1:3 (A1)
DIMENSIONS IN mm	
©ROTA VAL	

ROTAVAL
CHIPPENHAM WILTS

DRN	CHKD	APPD	DATE
J.PORTER	SC	D.C.S	07-11-02

TITLE		CP80 PLUG DIVERTER VALVE LEFT HAND DIVERT PLANNING IN DIMENSIONS	
JOB No.	DRG No.	SHEET	ISSUE
	CP-080-LHD	1	A