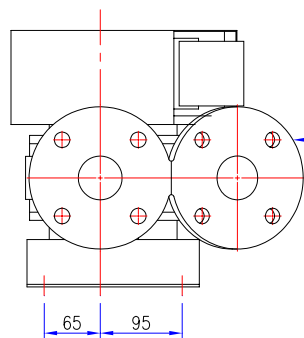
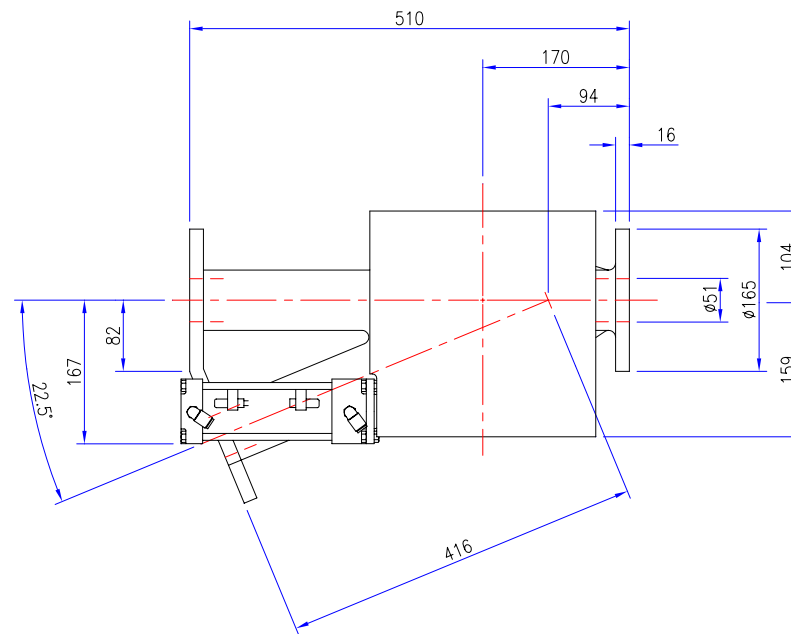
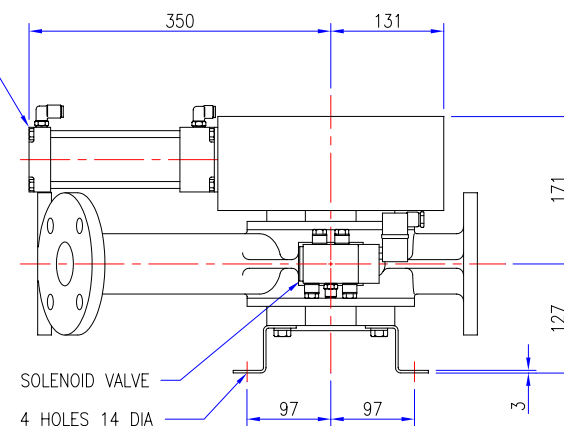


OPTIONS	INCLUDED		
FLANGE DRILLING	BS4504	ANSI	
APPROX VALVE WEIGHT			
CI+ST STL 60Kg : AL ALLOY 28Kg			
ORDER No.			
JOB No. J			
CERTIFIED			



FLANGE DRILLING OPTIONS :-  
 BS4504 PN10 (DIN 2501)  
 4 HOLES 18 DIA  
 EQUI-SP ON 125 PCD OFFCENTRE  
 ANSI B16.5-150FF  
 4 HOLES 19 DIA  
 EQUI-SP ON 120.7 PCD OFFCENTRE

PNEUMATIC CYLINDER  
 C/W REED SWITCHES



SOLENOID VALVE  
 4 HOLES 14 DIA

TOLERANCES	UP TO VALVE SIZE	VALVE SIZE & OVER
FACE-FACE	250 ±1.5	300 ±3
FLANGE THK.	450 ±3	500 ±5
PIPE O/D	100 ±1.5	115 ±2
OTHER	450 ±6	500 ±8

PROJECTION	
SCALE :	1:3 ( A1 )
DIMENSIONS IN mm	

**ROTAVAL**  
 CHIPPENHAM WILTS

DRN	CHKD	APPD	DATE
J.PORTER	SC	D.C.S	05-11-02

TITLE		CP50 PLUG DIVERTER VALVE LEFT HAND DIVERT PLANNING IN DIMENSIONS	
JOB No.	DRG No.	SHEET	ISSUE
	CP-050-LHD	1	A

A	ORIGINAL
	REVISIONS